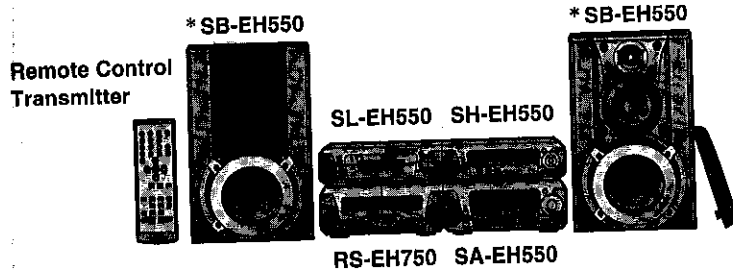


Service Manual



Tuner/Amplifier SA-EH550



Colour
(S) Silver Type

Areas
(E) Europe.
(EB) Great Britain.
(EG) Germany,
Italy, France,
Netherlands
and Denmark.
(EP) CIS.

Because of unique interconnecting cables, when a component requires service, send or bring in the entire system.

 KRHY	Door No.	 51 f:
	3	
	Drop No.	
	0	
Customer: TECHNICA42		
Load: SPOWE1		
Model: AD9903062C2	Qty: 1	
Assemble at: 60	05/07/00	

System	SC-EH550
Sound Processor	SH-EH550
Tuner/Amplifier	SA-EH550
CD Player	SL-EH550
Cassette Deck	RS-EH750
Front Speakers*	SB-EH550

* : Made in Singapore

Specificati

Amplifier Secti
Power output (at F
DIN 1 kHz, THD 1
both channels)

RMS 1 kHz, THD 10 %,
both channels driven;

PMPO 1 kHz:

Total harmonic distortion:

Rated power at 1 kHz;

Half power at 1 kHz;

Load impedance:

MAIN;

S.WOOFER:

Center frequency;

LEVEL (VOL-20 dB):

FM tuner Section

Frequency range:

Sensitivity:

S/N 26 dB:

S/N:

MONO;

Antenna terminal(s):

(HIGH) 2 × 40 W (6 Ω)

(LOW) 2 × 50 W (6 Ω)

1,400 W

(LOW 6 Ω, HIGH 6 Ω)

1 % (6 Ω)

0.1 % (6 Ω)

(HIGH) 6 Ω

(LOW) 6 Ω

70 Hz

MID +8 dB

MAX +12 dB

87.50 – 108.00 MHz (0.05 MHz steps)

1.8 μV (IHF usable)

1.5 μV

70 dB (75 dB, IHF)

75 Ω (unbalanced)

Timer Section

Clock:

Function:

Setting (Play/Rec):

General

Power supply:

(E),(EG),(EP) areas;

(EB) area;

Power consumption:

Standby;

Normal;

ECO mode;

Dimensions (W×H×D):

Weight:

Quartz - lock type

Play timer (1 time, daily)

Rec timer (1 time, daily)

Sleep (120 min, 30 min intervals)

1 minute – 23 hours 59 minutes

(1 min intervals)

AC 230 V, 50 Hz

AC 230 – 240 V, 50 Hz

110 W

11 W

0.6 W

293×118.5×342.5 mm

4.3 kg

Notes: Specifications are subject to change without notice.

Weight and dimensions are approximate.

Total harmonic distortion is measured by the digital spectrum analyzer

⚠ WARNING

This service information is designed for experienced repair technicians only and is not designed for use by the general public. It does not contain warnings or cautions to advise non-technical individuals of potential dangers in attempting to service a product. Products powered by electricity should be serviced or repaired only by experienced professional technicians. Any attempt to service or repair the product or products dealt with in this service information by anyone else could result in serious injury or death.

Technics®

© 1999 Matsushita Electric Industrial Co., Ltd.
All rights reserved. Unauthorized copying
and distribution is a violation of law.

Contents

Before Repair	Page 2	Surround System	Page 16
Protection Circuitry	2	Using the Virtual Dolby Surround	17
Accessories	2	Enjoy the Sound with Simulated Stereo	17
Caution for AC Mains Lead	3	Using the Seat Position Function	18
Location of Controls	4	Concerning the Display	18
Installation	5	Using an External Unit	19
Turning the Demo Function Off (DEMO)	5	Operation Checks and	
Connections	6~7	Component Replacement Procedures	20~22
Preparing the Remote Control	7	Self-Diagnostic Mode	23
External Unit Connections	8	Schematic Diagram	24~33
Optional Antenna Connections	8	Printed Circuit Board Diagram	34~38
Setting the Time	9	Wiring Connection Diagram	39
ECO mode	9	Type Illustration of IC's, Transistors and Diodes	40
Listening to Compact Disc	10~12	Terminal Function of IC's	41
Boosting the Super Woofer	13	Block Diagram	42~46
Using the Built-in Sound Quality/Sound Field Settings	13	Replacement Parts List	47~50
Varying the Sound Quality		Cabinet Parts Location	51
with the Manual Equalizer (Manual EQ)	14	Packaging	52
Varying the Sound Quality			
with the Acoustic Image (AI) Equalizer (3D AI EQ)	15		

Before Repair

- Turn off the power supply. Using a 10 Ω, 10 W resistor, connect both ends of power supply capacitors (C701, C703 and C702, C704) in order to discharge the voltage.
- Before turning the power supply on, after completion of repair, slowly apply the primary voltage by using a power supply voltage controller to make sure that the consumed current at 50/60 Hz in NO SIGNAL mode should be shown below with respect to supply voltage 230/240V.

Power supply voltage	AC 230 V	AC 240 V
Consumed current 50 Hz	70 ~ 250 mA	

Protection Circuitry

The protection circuitry may have operated if either of the following conditions is noticed:

- No sound is heard when the power is switched ON.
- Sound stops during a performance.

The functions of this circuitry is to prevent circuitry damage if, for example, the positive and negative speaker connection wires are "shorted", or if speaker systems with an impedance less than the indicated rated impedance of this unit are used.

If this occurs, follow the procedure outlined below:

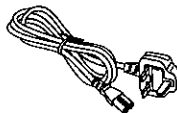
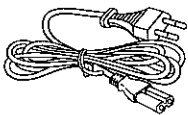
- Switch OFF the power.
- Determine the cause of the problem and correct it.
- Switch ON the power once again.

Note:

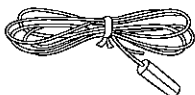
When the protection circuitry functions, the unit will not operate unless the power is first switched OFF and then ON again.

Accessories

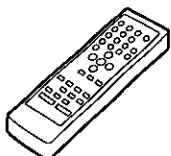
- AC power supply cord for (E),(EG),(EP) areas (RJA0019-X) 1 pc.
- AC power supply cord for (EB) area (RJA0053-2X) 1 pc.
- AM loop antenna set (RSA0022-J) 1 pc.



- FM indoor antenna (RSA0007) 1 pc.
- Speaker cords (REE0499) 2 pcs.
- Antennal plug adaptor for (EB) area only (SJP9009) 1 pc.
- Speaker cords (REE0853) 2 pcs.

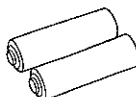


- Remote control transmitter (RAK-EHA18WH) 1 pc.



- Batteries (UM-3, "AA", R6/LR6) 2 pcs.

Note: These are available on sales route.





■ Caution for AC Mains Lead

(For United Kingdom)

("EB" area code model only)

For your safety, please read the following text carefully.

This appliance is supplied with a moulded three pin mains plug for your safety and convenience. A 5-ampere fuse is fitted in this plug. Should the fuse need to be replaced please ensure that the replacement fuse has a rating of 5-ampere and that it is approved by ASTA or BSI to BS1362. Check for the ASTA mark  or the BSI mark  on the body of the fuse.

If the plug contains a removable fuse cover you must ensure that it is refitted when the fuse is replaced. If you lose the fuse cover the plug must not be used until a replacement cover is obtained. A replacement fuse cover can be purchased from your local dealer.

CAUTION!

IF THE FITTED MOULDED PLUG IS UNSUITABLE FOR THE SOCKET OUTLET IN YOUR HOME THEN THE FUSE SHOULD BE REMOVED AND THE PLUG CUT OFF AND DISPOSED OF SAFELY. THERE IS A DANGER OF SEVERE ELECTRICAL SHOCK IF THE CUT OFF PLUG IS INSERTED INTO ANY 13-AMPERE SOCKET.

If a new plug is to be fitted please observe the wiring code as shown below. If in any doubt please consult a qualified electrician.

IMPORTANT


The wires in this mains lead are coloured in accordance with the following code:

Blue: Neutral, Brown: Live.

As these colours may not correspond with the coloured markings identifying the terminals in your plug, proceed as follows:

The wire which is coloured Blue must be connected to the terminal which is marked with the letter N or coloured Black or Blue.

The wire which is coloured Brown must be connected to the terminal which is marked with the letter L or coloured Brown or Red.

WARNING: DO NOT CONNECT EITHER WIRE TO THE EARTH TERMINAL WHICH IS MARKED WITH THE LETTER E, BY THE EARTH SYMBOL  OR COLOURED GREEN OR GREEN/YELLOW.

THIS PLUG IS NOT WATERPROOF—KEEP DRY.

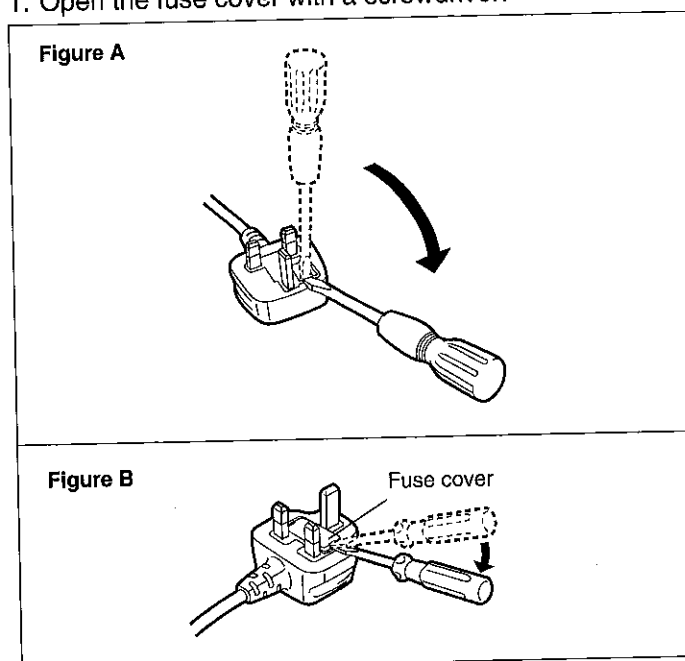
Before use

Remove the connector cover.

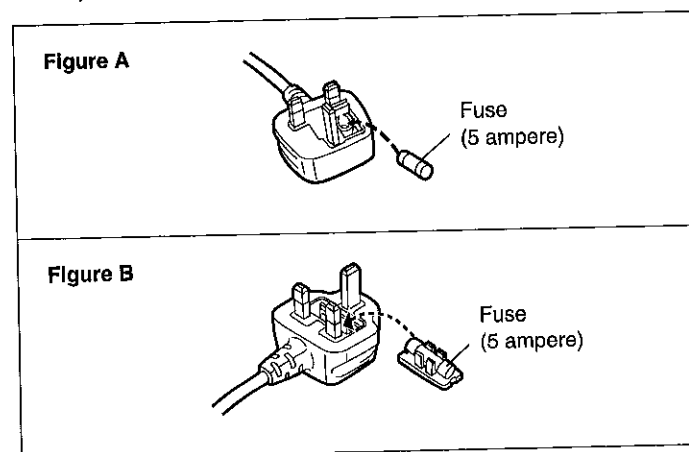
How to replace the fuse

The location of the fuse differ according to the type of AC mains plug (figures A and B). Confirm the AC mains plug fitted and follow the instructions below. Illustrations may differ from actual AC mains plug.

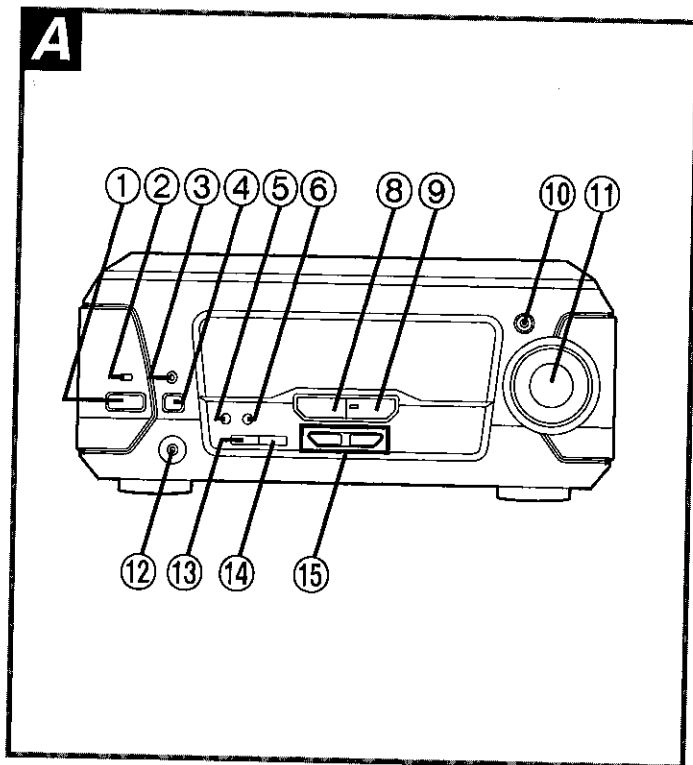
1. Open the fuse cover with a screwdriver.



2. Replace the fuse and close or attach the fuse cover.



Location of Controls

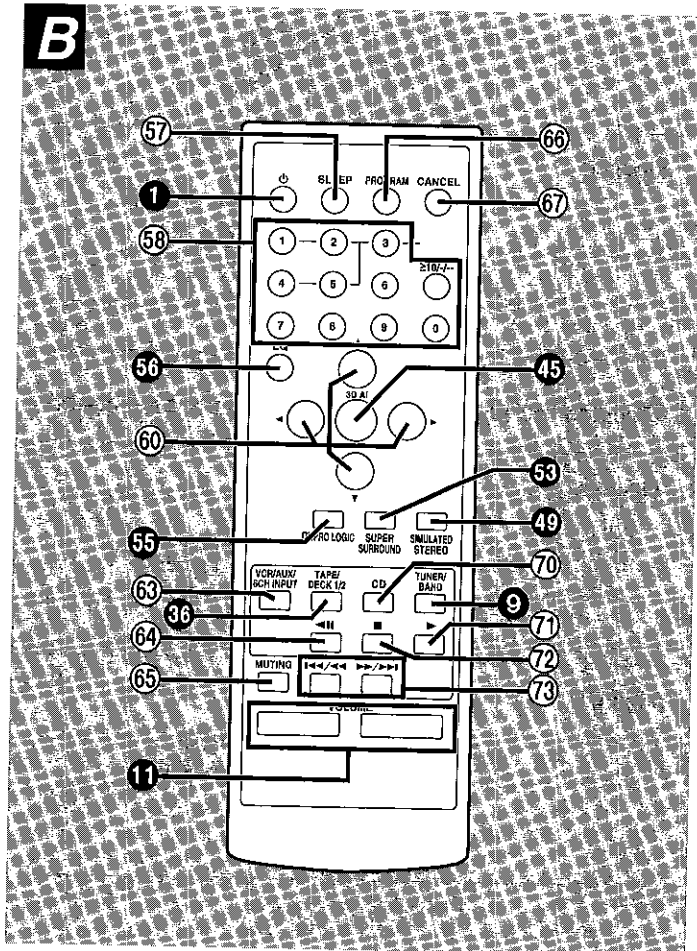


Tuner amplifier

A

- ① **Standby/on switch** (⏻/⏻)
Press to switch the unit from on to standby mode or vice versa. In standby mode, the unit is still consuming a small amount of power.
- ② **Standby Indicator** (⏻)
When the unit is connected to the AC mains supply, this indicator lights up in standby mode and goes out when the unit is turned on.
- ③ **Play timer/record timer button and Indicator** (⏻ PLAY/⏻ REC)
- ④ **ECO mode button** (ECO)
- ⑤ **Clock/timer, demo button** (CLOCK/TIMER, -DEMO)
- ⑥ **FM mode select button** (FM AUTO/MONO)
- ⑧ **Source input select button** (INPUT SELECTOR)
- ⑨ **Tuner/band select button and Indicator** (TUNER/BAND)
- ⑩ **Super woofer button and Indicator** (S.WOOFER)
- ⑪ **Volume control** (VOLUME)
- ⑫ **Headphones jack** (PHONES)
- ⑬ **Tuning mode select button** (TUNING MODE)
- ⑭ **Set button** (SET)
- ⑮ **Tuning buttons** (▲, ▼ TUNING)

B



Remote control

B

Buttons as ① function in exactly same way as the buttons on the main unit.

- ⑤⑦ **Sleep timer button** (SLEEP)
- ⑤⑧ **Numeric buttons** (1-9, 0, ≥10/-/-)
- ⑤⑨ **Cursor buttons** (◀, ▲, ▶, ▼)
- ⑤⑩ **VCR select button** (VCR)
- ⑤⑪ **Tape reverse playback/CD pause button** (◀/||)
- ⑤⑫ **Muting button** (MUTING)
- ⑤⑬ **Program button** (PROGRAM)
- ⑤⑭ **Cancel button** (CANCEL)
- ⑤⑮ **CD button** (CD)
- ⑤⑯ **CD play/tape forward playback button** (▶)
- ⑤⑰ **CD/tape stop button** (■)
- ⑤⑱ **CD skip/search, tape fast forward/rewind buttons** (I◀◀/◀◀, ▶▶/▶▶I)

Installation

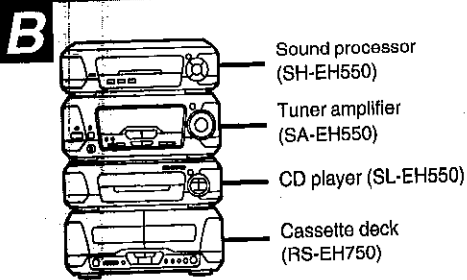
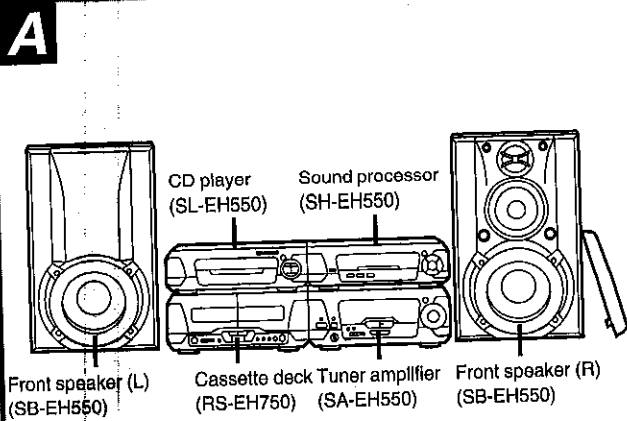
Locating the components

Side-by-side set-up **A**

Stacking **B**

Note

Left and right front speakers are exactly the same.



Turning the Demo Function Off (DEMO)

If the clock has not been set, a demonstration of the display is shown when the unit is off.

This function is set to on at the time of purchase.

To get the most from the ECO mode, turn the demo function off.

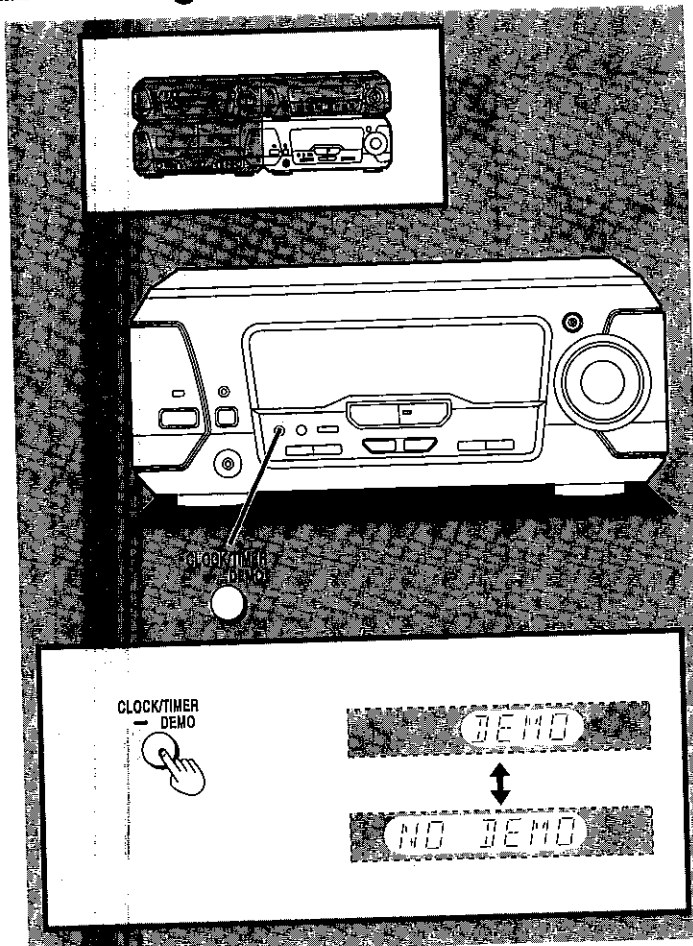
Press and hold [CLOCK/TIMER, -DEMO] until "NO DEMO" is displayed.

Every time you press and hold the button;

NO DEMO (off) ↔ DEMO (on)

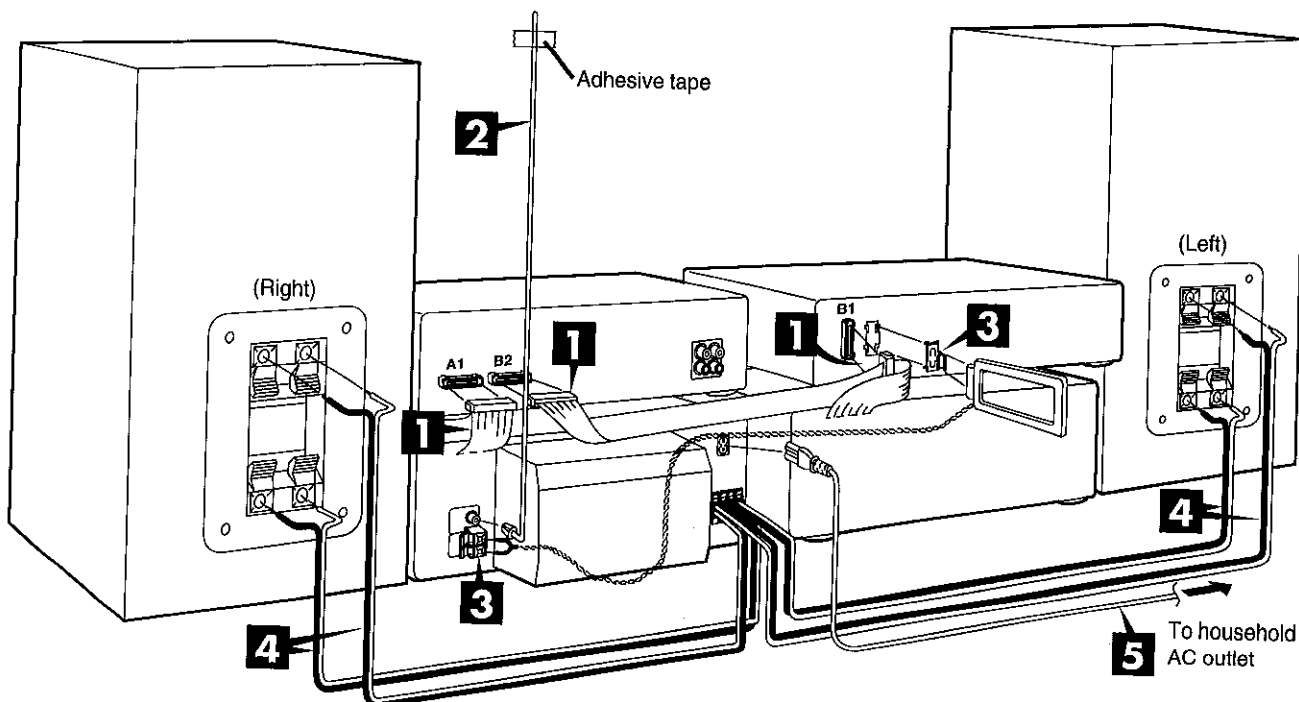
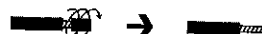
Note

Once the clock has been set the demo cannot be turned on when the unit is off.



Connections

To prepare the AM loop antenna wire and speaker cords, twist the vinyl cover tip and pull off.



<p>1</p> <p>To connect cables</p> <p>Connector White line</p> <p>To unplug cables Hold the connector from both ends and pull it out.</p>	<p>3</p> <p>1</p>	<p>4 Tuner amplifier side</p> <p>Red (+) Black (-) Blue (-) Gray (+)</p>
<p>2</p> <p>FM ANT 75Ω</p>	<p>2</p>	<p>Speaker side</p> <p>Gray (+) Blue (-) Red (+) Black (-)</p>

■ Preparing the Remote Control

1 Connect the flat cables.

1. Connect the shorter flat cable from the tuner amplifier to terminal A1 on the sound processor.
2. Connect the longer flat cable from the cassette deck to terminals B1 and B2.

After connection:

Keep cables as flat against the back of the unit as possible.

2 Connect the FM indoor antenna.

Tape the antenna to a wall or column, in a position where radio signals are received with the least amount of interference.

3 Connect the AM loop antenna.

1. Attach the antenna holder to the rear panel of the CD player. Then clamp the antenna into the antenna holder.
2. Connect the antenna terminal to the rear panel of the tuner amplifier.

Note

To minimize noise pickup, bundle the loop antenna cord using tape or the like to keep the flat cables away from the AM loop antenna cord.

4 Connect the right (R) and left (L) front speaker cables.

Connect each end of the speaker cables to the terminal lever of the same color.

Use only the supplied front speakers.

The combination of the main unit and front speakers provide the best sound. Using other front speakers can damage the unit and sound quality will be negatively effected.

Note

- To prevent damage to circuitry, never short-circuit positive (+) and negative (-) speaker wires.
- Be sure to connect only positive (red or gray) wires to positive (+) terminals and negative (black or blue) wires to negative (-) terminals.

(United Kingdom only)

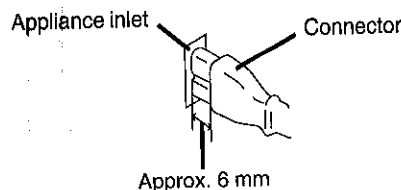
BE SURE TO READ THE CAUTION FOR AC MAINS LEAD BEFORE PROCEEDING TO STEP 5.

5 Connect the AC mains lead.

Insertion of Connector

Even when the connector is perfectly inserted, depending on the type of inlet used, the front part of the connector may jut out as shown in the drawing.

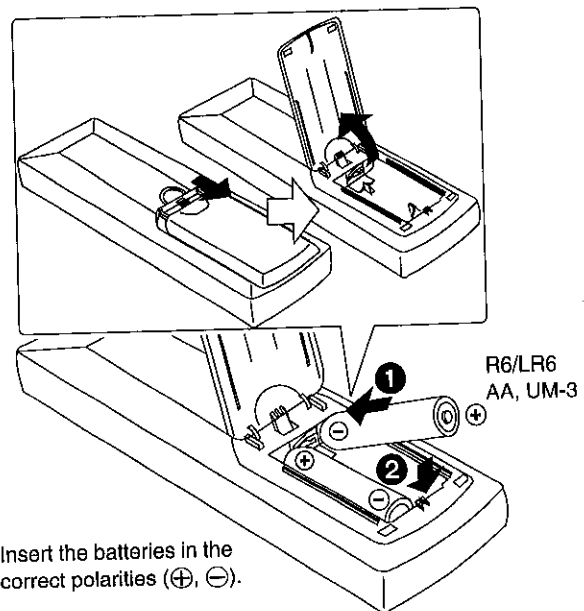
However there is no problem using the unit.



For your reference

Information you enter into the unit's memory, except for the time, remains intact for up to two weeks after the mains lead is disconnected.

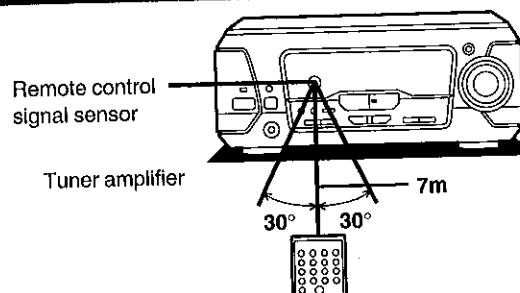
Battery installation



Insert the batteries in the correct polarities (⊕, ⊖).

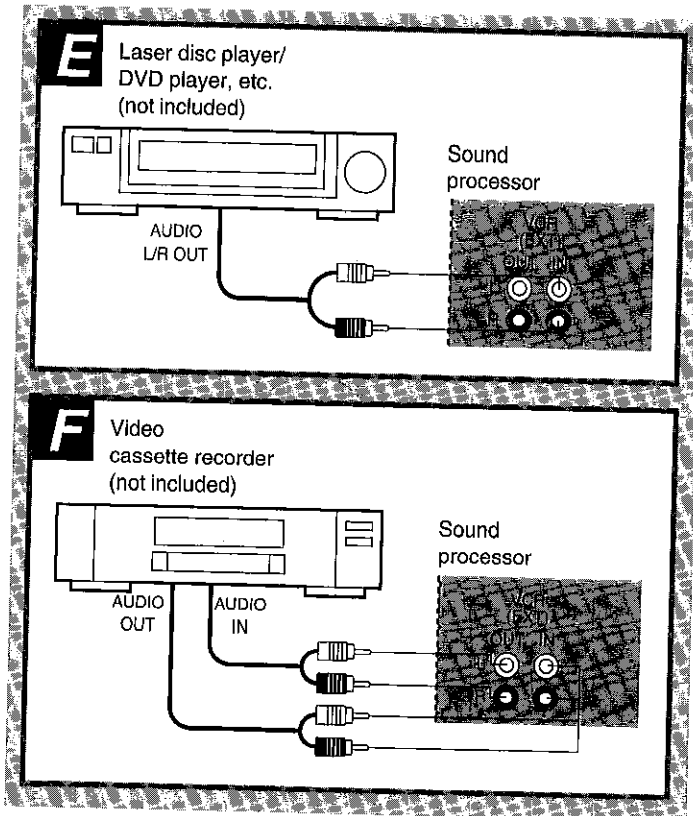
- Do not mix old and new batteries, or batteries of different types (manganese and alkaline, etc.).
- Never subject batteries to excessive heat or flame; do not attempt to disassemble them; and be sure they are not short-circuited.
- If the remote control is not to be used for a long period of time, remove the batteries and store them in a cool, dark place.
- Do not attempt to recharge alkaline or manganese batteries.
- Do not use rechargeable type batteries.

Correct method of use



- Aim the remote control's transmission window toward the unit's sensor. Avoid any obstacles.
- Be sure the transmission window and the unit's sensor are free from dust. Excessive dust might affect its performance.
- This unit may not operate correctly if direct sunlight or another strong light source strikes the receiving sensor of this unit. If there is a problem, place the unit away from the light source.
- Never place heavy items on top of the unit.
- Do not disassemble or reconstruct the unit.
- Do not spill water or other liquids into the unit.

External Unit Connections



- Make sure that the power supply for all components has been turned off before making any connections.
- For details, refer to the operating instructions of the units which are to be connected.
- All peripheral components and cables sold separately.

Stereo connection cable (not included)

White (L)

Red (R)

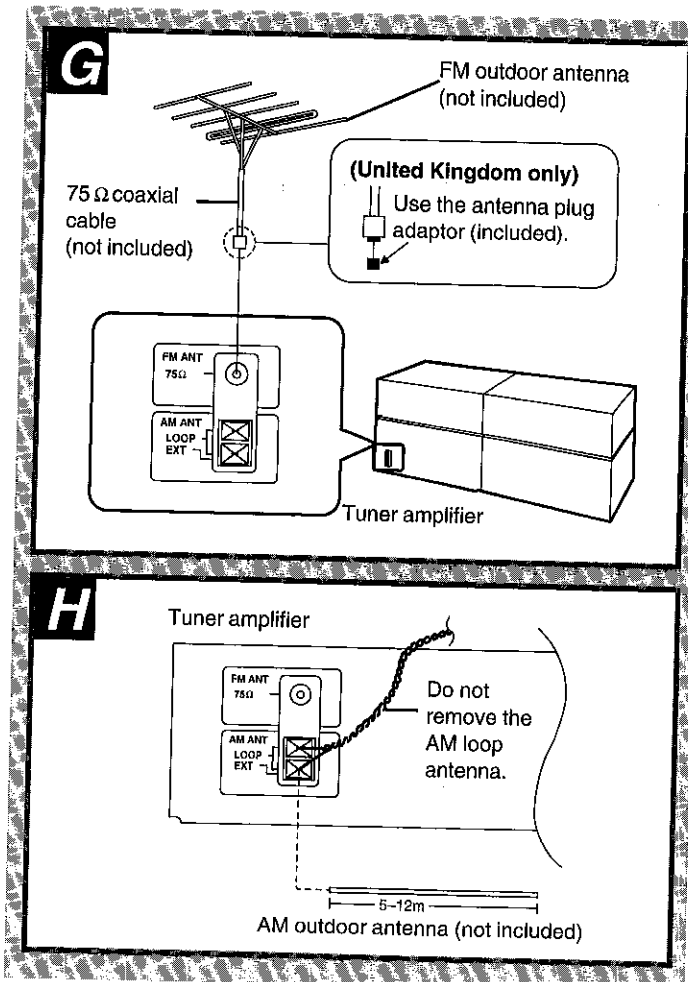
Video connection cable (not included)

E Laser disc player/DVD player etc.

F Video cassette recorder

You can enjoy only sound of the video cassette recorder.

Optional Antenna Connections



You may need an outdoor antenna if you use this system in a mountainous region or inside a reinforced-concrete building, etc.

FM outdoor antenna (not included) G

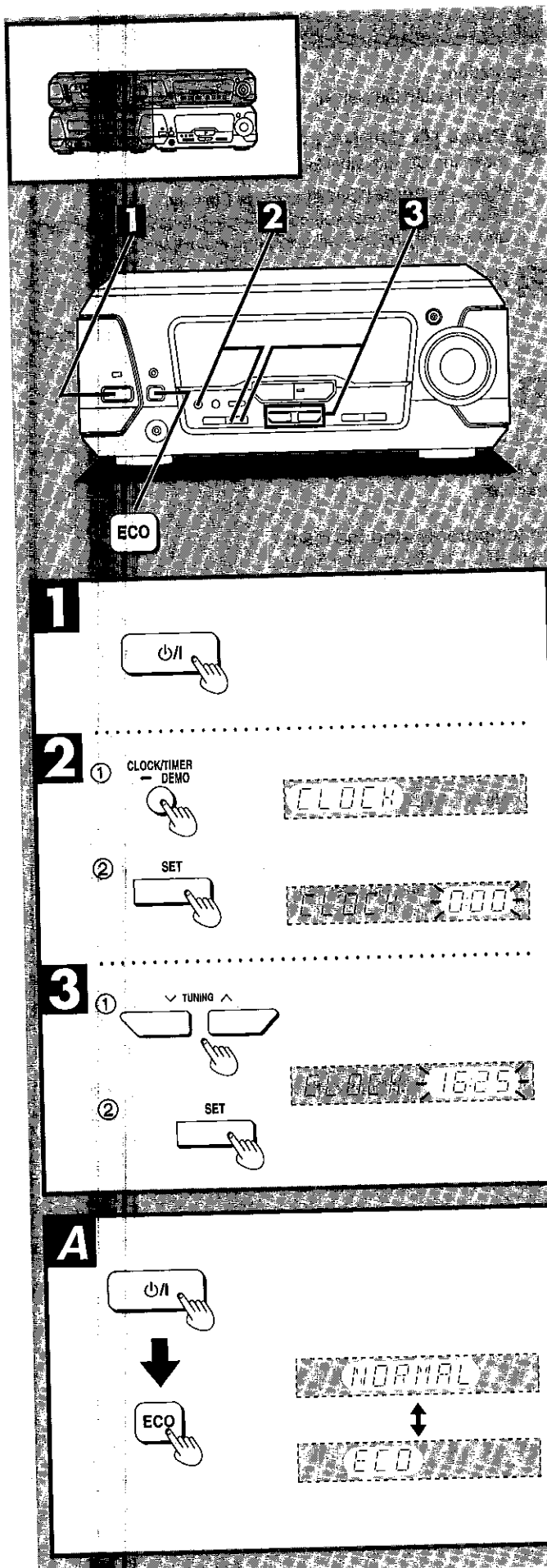
AM outdoor antenna (not included) H

Connect the outdoor antenna without removing the AM loop antenna. Run 5 to 12 m of vinyl-covered wire horizontally along a window or other convenient location.

Note

When the unit is not in use, disconnect the outdoor antenna to prevent possible damage that may be caused by lightning. Never use an outdoor antenna during an electrical storm.

■ Setting the Time



This is a 24-hour display clock.

The figure shows how to set the time for 16:25.

- 1** Press [⏻/⏻] to turn the unit on.
- 2** **①** Press [CLOCK/TIMER, -DEMO] to show "CLOCK".
Every time you press the button;
CLOCK → ⏻ PLAY → ⏻ REC → Original display
- 3** **①** Press [TUNING (∨ or ∧)] to set the present time on the display.
The time display can be changed in one minute units by tapping the buttons, and quickly by holding down the buttons.
② Press [SET].
The display will return to the previous display after about 3 seconds.

To display the clock:

Press [CLOCK/TIMER, -DEMO].

The time is shown for about five seconds.

The time is shown constantly when the unit and ECO mode are off.

■ ECO mode **A**

When this mode is used the power consumed when the unit is switched to standby mode reduces from a maximum of 11 W to 0.6 W

This mode is set to on at the time of purchase.

	NORMAL (off)	ECO (on)
Display	Clock display, etc.	Blank
Power consumption in standby mode	11 W	0.6 W

The demonstration is shown if DEMO is on, regardless of the condition of the ECO mode. Turn DEMO off if ECO is used.

Turning ECO on and off:

Press [⏻/⏻] to turn the unit on.

Press [ECO].

The current ECO mode is displayed. Press again to change the mode.

The display changes each time the button is pressed:

NORMAL (off) ↔ ECO (on)

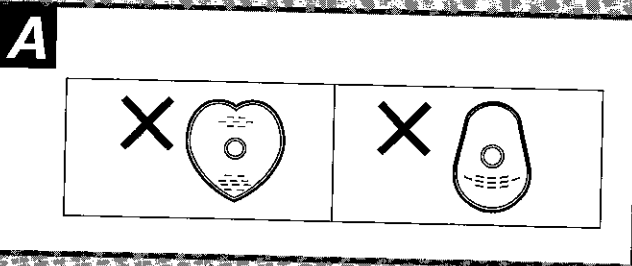
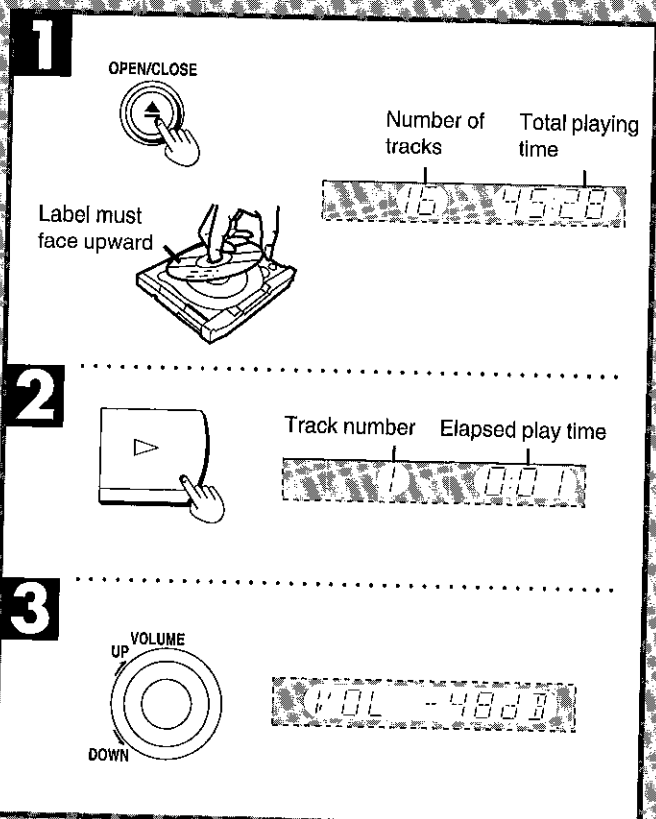
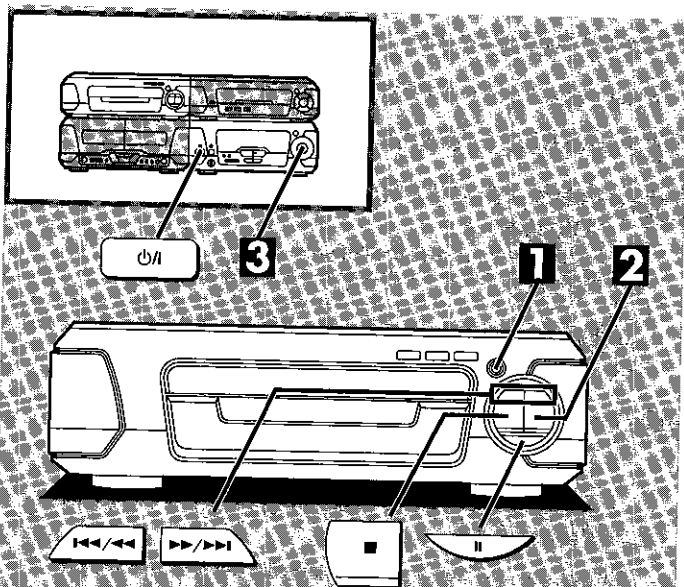
When ECO is on:

When the power is switched off, standby indicator lights, but the display panel remains blank.

Note

When the unit is off, the mode can be switched from NORMAL to ECO, but not the other way.

■ Listening to Compact Disc



Sequential play

Preparation:

Press [⏻] to turn the unit on.

1 Press [⏻ OPEN/CLOSE] to open the tray.

Insert the CD with label facing upward.

Press [⏻ OPEN/CLOSE] to close the tray.

When the "CD" input source is selected, total number of tracks and total playing time will appear on the display.

2 Press [▶].

Play will start from the first track on the CD.

Play will stop automatically when the last track on the CD finishes playing.

3 Adjust the volume.

To stop the disc:

Press [■].

To temporarily stop the disc:

Press [⏸]. The play indicator flashes.

To play again, press [▶].

Skipping tracks backward and forward:

Press [⏮/◀] to skip backward. Press [▶/⏭] to skip forward.

Searching through tracks during play:

Press and hold [⏮/◀] to search backward. Press and hold [▶/⏭] to search forward.

When "NO DISC" display appears:

It indicates that a CD has not been installed.

For your reference:

If you press [▶] instead of [⏻ OPEN/CLOSE] after inserting a CD, the tray will close and play will start directly from track 1.

Note

- During random play, you cannot skip to tracks which have already been played.
- During program play or random play, you cannot search-forward/backward over tracks.
- During program play, skipping is always in the programmed order, whether forward or backward.
- Do not use CDs with poorly attached labels or stickers. Adhesive protruding from underneath stickers or left over from peeled off stickers can cause the system to malfunction.
- Do not use irregular shaped CDs. **A**

Direct access play

A

by remote control only

Direct access allows you to start sequential play from a specific track to the last track on the CD.

- 1** Press [CD].
- 2** Press the numeric button(s) to select the desired track number.
Play will start with the track you select.

To select a two-digit track:

Press [≥ 10 /-/-] and then the two numbers you want within 10 seconds or so.

Repeat play

B

This function repeats the play of all tracks.

Press [REPEAT] before or during play.

To cancel repeat play:

Press [REPEAT] once again.

To repeat only your favorite track(s)

1. Program the track(s) you want.
2. Press [REPEAT] and make sure "☺" is displayed.
3. Press [>]. Play will start

Random play

C

This function automatically selects a sequence of tracks to be played in random order.

Press [RANDOM].

Random play will start.

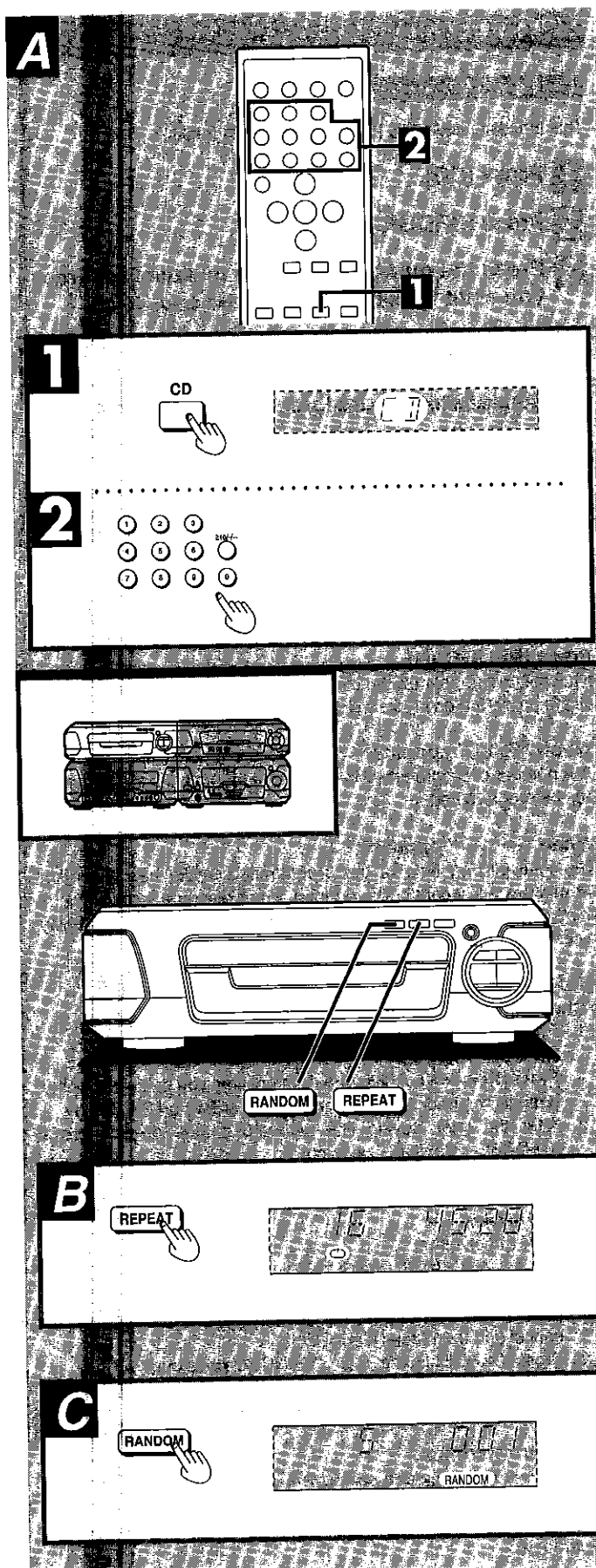
Play will stop automatically when all tracks on the CD finish playing randomly.

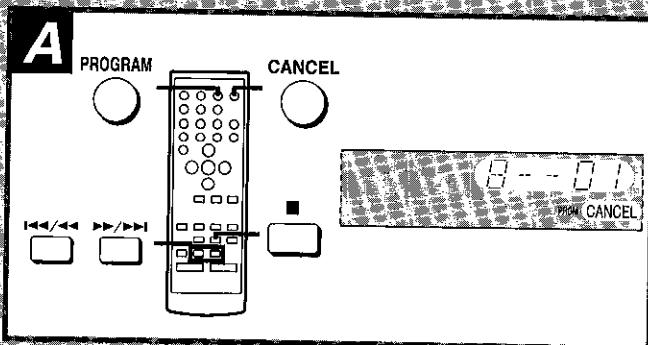
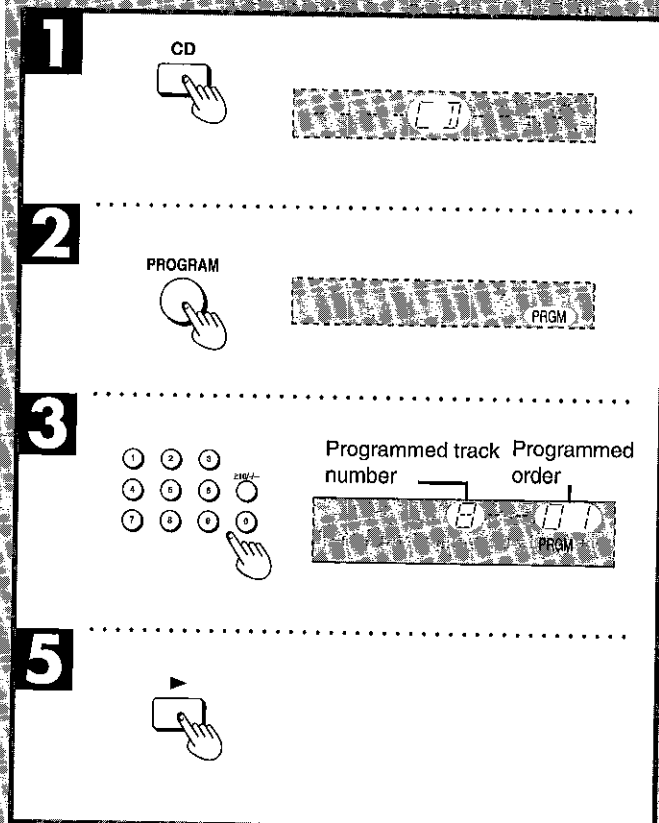
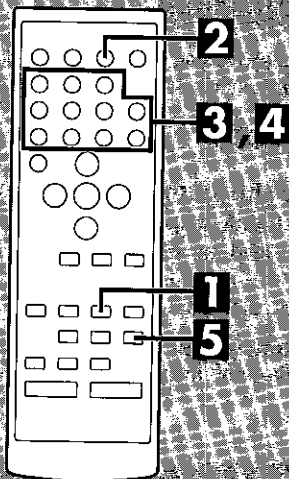
To cancel random play:

Press [RANDOM] once again.

For your reference:

In the program play mode, the programmed tracks will be played randomly.





Program play

by remote control only

This function allows you to program up to 24 tracks.

- 1** Press [CD].
- 2** Press [PROGRAM].
- 3** Press the numeric button(s) to select the track you want to play in the desired sequence.

To select a two-digit track:

Press [$\geq 10/-/-$] and then the two numbers you want.

- 4** Repeat step **3** until you have programmed all the tracks you want.
- 5** Press [▶].
Play will start in the programmed sequence.
Play will stop automatically when all the programmed tracks have been played.

To cancel program play mode:

Press [PROGRAM].

"CLEAR" will appear on the display for approximately 1 second and all the programmed tracks will be cancelled.

When "FULL" appears:

The number of programmed tracks is limited to 24. No further tracks can be programmed.

When "--:--" appears:

The total playing time of the programmed tracks has exceeded 99 minutes 59 seconds, or you tried programming a track which is numbered 25 or more. In any case, you can still program and play discs.

You can do the following during program play. **A**

• Check program contents.

1. Press [CANCEL].
"CANCEL" will light.
2. Press [◀/▶] or [▶/▶]. Every time you press one of the buttons, the track and program No. are shown on the display.
3. After the total playing time appears on the display, press [CANCEL]. "CANCEL" goes out.

• Add to the program.

Repeat step **3**.

• Cancel entries.

A specific track only:

- ① Press [CANCEL]. "CANCEL" will light.
- ② Press the numeric button(s) of the track you want to cancel, or press [◀/▶] or [▶/▶] to select the track you want to cancel and then press [CANCEL].
- ③ Press [CANCEL] once again. "CANCEL" goes out.

All tracks:

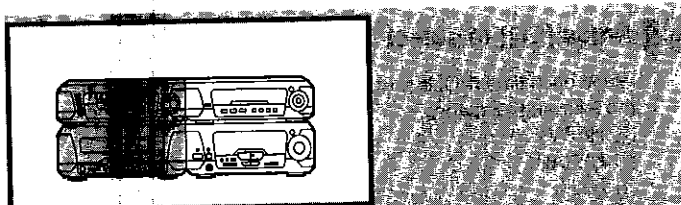
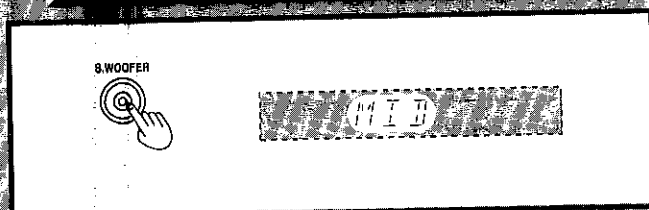
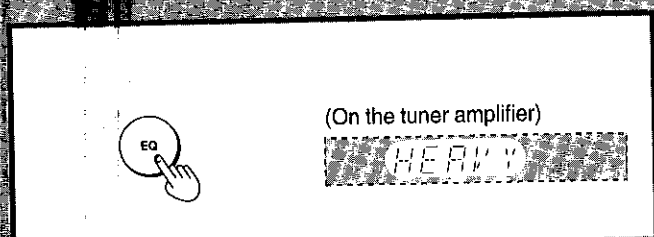
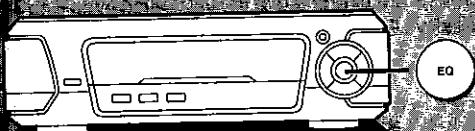
Press [PROGRAM], or press [■] while play is stopped.

For your reference:

To program the track you are listening to:

If you press [PROGRAM] during playback, the program mode will engage and the current playback track will be automatically recorded as program No. 1.

■ Boosting the Super Woofer **A**

**A****B**

① (On the sound processor)



②



③



④



⑤



⑥



Press [**S. WOOFER**].
[S. WOOFER] lamp lights.

- When listening to the sound through the speakers:
MID (medium) → MAX (high) → Light off (OFF)
- When listening to the sound through the headphones:
Light on (ON) ↔ Light off (OFF)

To cancel

Press [**S. WOOFER**] to select OFF.

■ Using the Built-in Sound Quality/ Sound Field Settings **B**

Press [**EQ**] to select the sound quality or sound field.

When each time [**EQ**] is pressed, the settings are selected in the following sequence.

- ① **HEAVY (sound quality)**
Select this when playing rock or other kinds of music that sound better with an added punch.
- ② **CLEAR (sound quality)**
Select this for jazz or other kinds of music for which clarity in the treble range is desired.
- ③ **HALL (sound field)**
Select this to add an expansiveness to the sound to produce the atmosphere of a great concert hall.
- ④ **AI EQ**
- ⑤ **MANUAL**
- ⑥ **FLAT**
The original display is restored on the display panel in about 5 seconds.

To release the equalizer

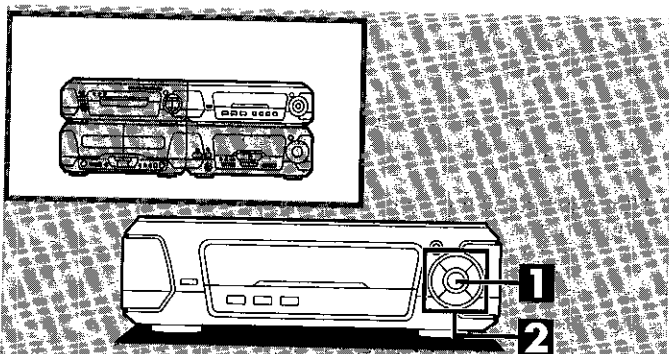
Press [**EQ**] to select "FLAT".

When using the remote control to perform the operations described above

Press [**EQ**].

Each time this button is pressed, the setting is changed in the sequence described above.

■ Varying the Sound Quality with the Manual Equalizer (Manual EQ)



1 Press [EQ] to select "MANUAL".

When each time [EQ] is pressed, the settings are selected in the following sequence.

- ① HEAVY
- ② CLEAR
- ③ HALL
- ④ AI EQ
- ⑤ **MANUAL**
- ⑥ FLAT

2 Adjust the sound quality.

- ① ← → direction: For selecting the range of the sound to be adjusted

Characteristics of each sound range

Under 100 Hz: Super woofer range

Around 315 Hz: Bass to midrange

Around 1 kHz: Midrange

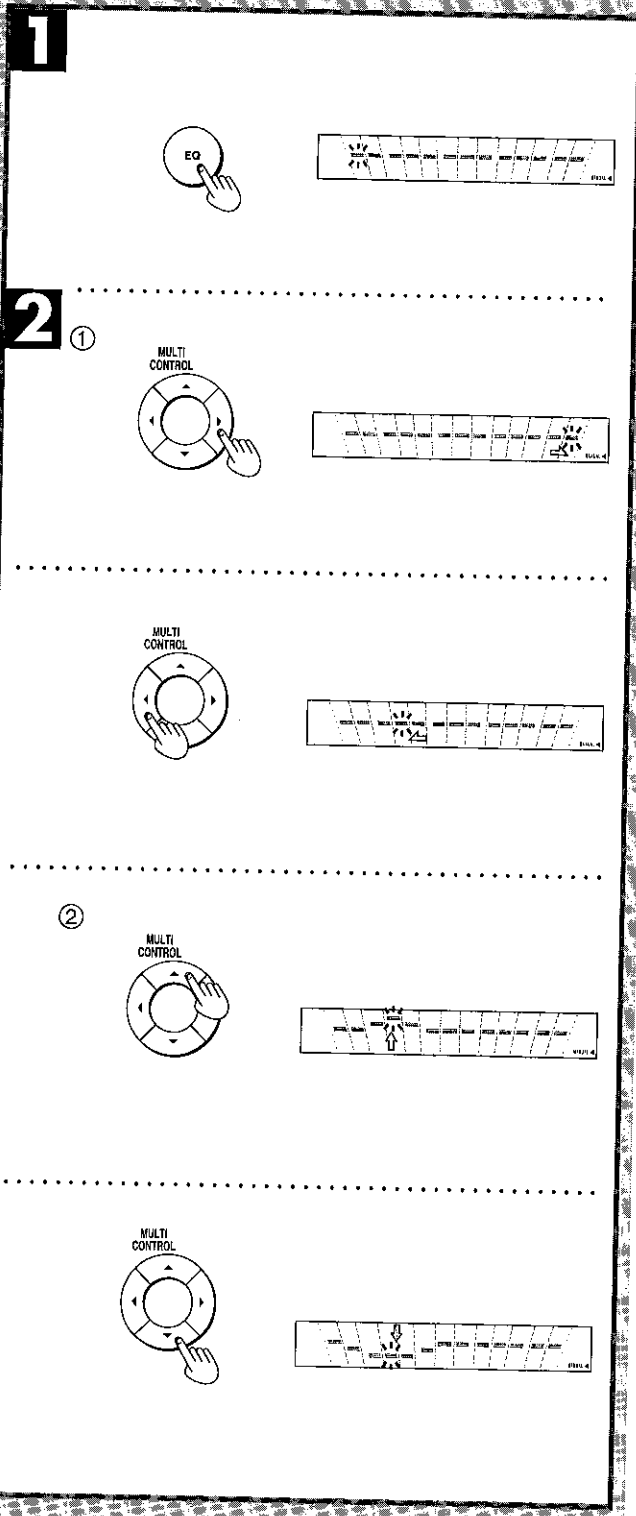
Around 3.15 kHz: Midrange to treble

Above 10 kHz: Treble

- ② ↓ ↑ direction: For adjusting the level

Repeat steps ① and ② to set the desired sound quality.

The original display is restored on the display panel in about 5 seconds.



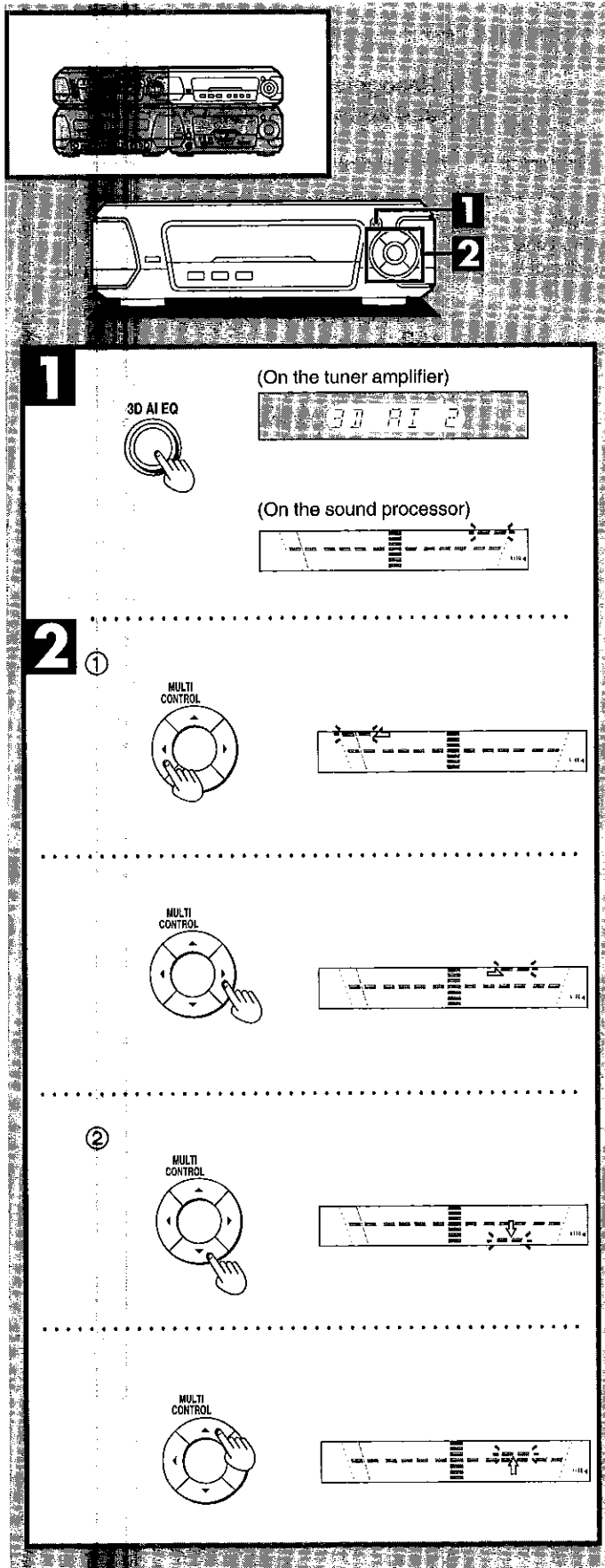
To release the equalizer

Press [EQ] to select "FLAT".

Note

- The sound quality setting is stored automatically. It is recalled when "MANUAL" is next selected.
- All recordings are performed at the flat setting even if an alternative sound quality setting has been selected.

■ Varying the Sound Quality with the Acoustic Image (AI) Equalizer (3D AI EQ)



It is possible to use the acoustic image equalizer (AI EQ) together with the surround effect to create your own sound effect. The AI EQ equalizer uses the SOFT, SHARP, HEAVY and LIGHT sound quality coordinates to achieve subtle sound quality settings with ease.

1 Press [3D AI EQ] to adjust the surround level.

Everytime you press the button;
AI EQ → 3D AI 1 → 3D AI 2

2 Adjust the sound quality.

① ← → direction: SOFT–SHARP setting

② ↓ ↑ direction: LIGHT–HEAVY setting

Repeat steps ① and ② to set the desired sound quality.

The original display is restored on the display panel in about 5 seconds.

To release the equalizer



Press [EQ] to select "FLAT".

Note

- The sound quality setting is stored automatically. It is recalled when "AI EQ" is next selected.
- All recordings are performed at the flat setting even if an alternative sound quality setting has been selected.
- 3D AI 1 and 3D AI 2 cannot be selected while SIMULATED STEREO and VIRTUAL DOLBY SURROUND modes are on.

■ Surround Systems

• Select the surround mode appropriate to the source you are using. Read the following explanations to aid your selection.

Surround system	Features	Recognizing the sound sources and software that can be used
<p>VIRTUAL DOLBY SURROUND</p> 	<p>This mode enables you to play sources recorded in Dolby Digital or Dolby Pro Logic through 2 channels, but with the feeling of 4 or 5.1 channel playback.</p>	<p>Software recorded in Dolby Digital or Dolby Pro Logic (See above):</p> <ul style="list-style-type: none"> • Laser Disc • DVD • Video tape (VCR) • CD  <p>This mode cannot be used with the radio.</p>
<p>SIMULATED STEREO</p>	<ul style="list-style-type: none"> • This mode adds stereo-like effects to monaural sound sources. 	<p>Any general sound source recorded in monaural can be used.</p> <ul style="list-style-type: none"> • CD • Tape • Video tape <p>This mode cannot be used with the radio and 6CH DISCRETE INPUT mode.</p>

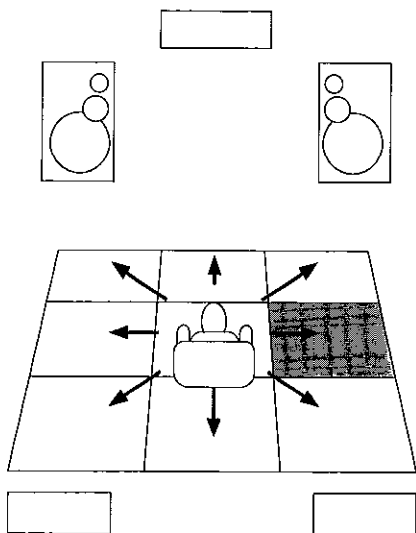
Add these audio effects to improve the experience

• Check the set-up of your speakers.

Set your speakers up to suit the surround mode you have selected to get the best surround effect.
These modes cannot be used with the radio.

Seat position function

- This function helps maintain the sound signal position even if the listening position itself is changed.
- It is effective when using VIRTUAL DOLBY SURROUND.



■ Using Virtual Dolby Surround **A**

Use this mode with 4 or 5.1 channel sources such as Dolby Pro Logic and Dolby Digital.

The sound from 2 speakers is processed so it appears as if it is coming from 5 or 5.1 speakers.

Press [VIRTUAL DOLBY SURROUND].
The [VIRTUAL DOLBY SURROUND] lamp lights.

To cancel the mode

Press [VIRTUAL DOLBY SURROUND].

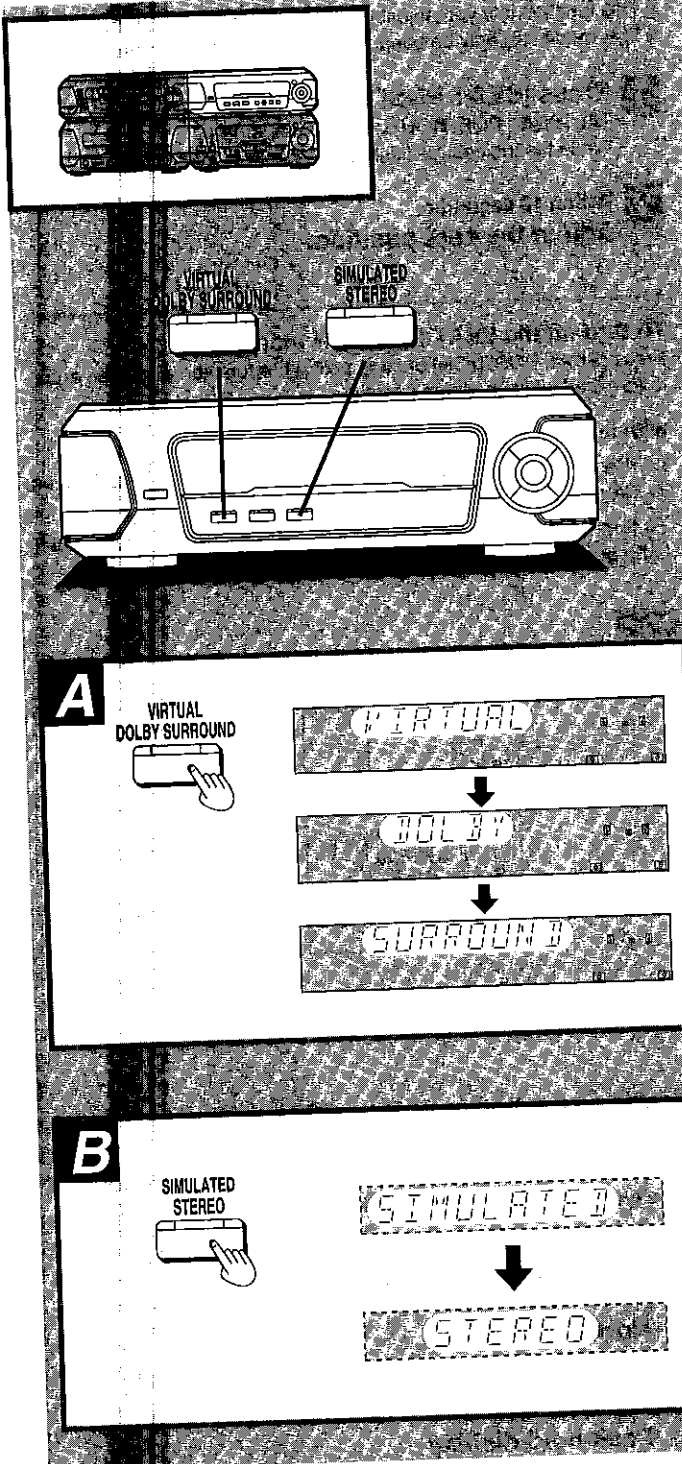
■ Enjoy the Sound with Simulated Stereo **B**

This mode adds stereo effect to monaural sources.

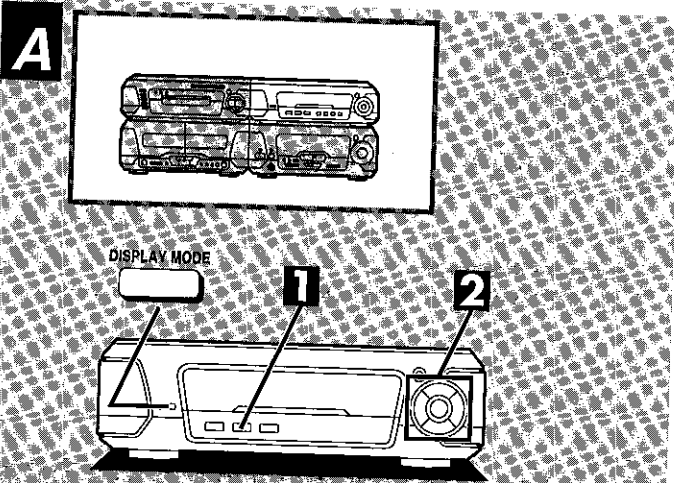
1 Press [SIMULATED STEREO].
The [SIMULATED STEREO] lamp lights.

2 Playback the source.

To turn off the SIMULATED STEREO mode
Press [SIMULATED STEREO].
The [SIMULATED STEREO] lamp goes out.



■ Using the Seat Position Function



- This function lets you adjust the listening position for better effect.
- This mode can only be used when Virtual Dolby Surround is on.

1 Press [SEAT POSITION].

The [SEAT POSITION] lamp flashes green.
While the indicator is flashing change the seat position.

2 Within 10 seconds Adjust the seat position.

To turn off the SEAT POSITION mode

Press [SEAT POSITION] once to select the function and once again to turn it off while the lamp flashes.

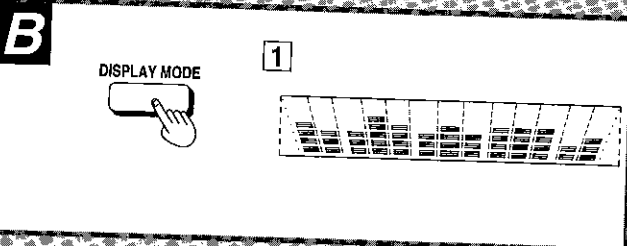
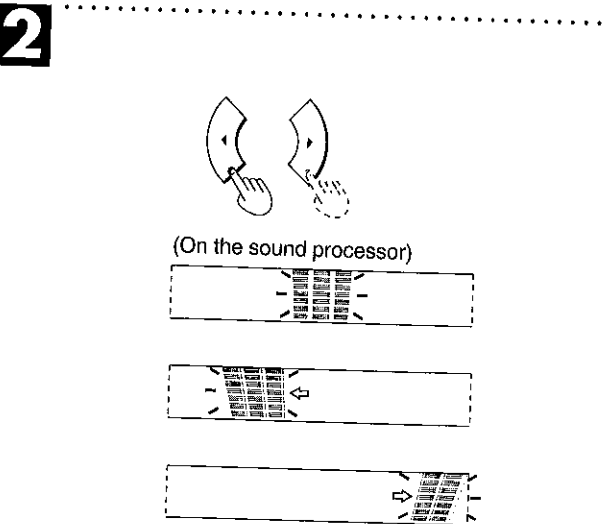
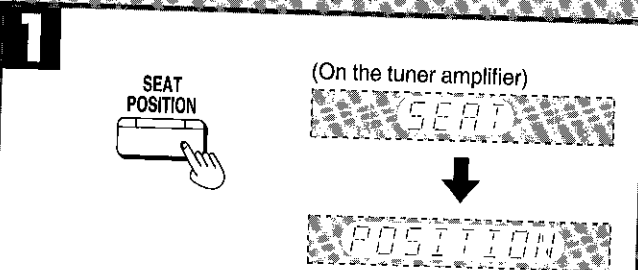
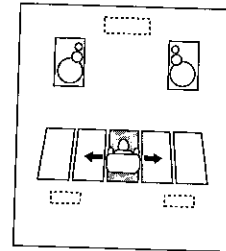
With the remote control

1. Press [SEAT POSITION] so the [SEAT POSITION] lamp flashes.
2. Press [◀] or [▶] to adjust the seat position.

To turn it off, press [SEAT POSITION] so the [SEAT POSITION] lamp goes out.

Note

- Seat position is changed in 5 horizontal steps.



■ Concerning the Display

The sound processor shows the level of each sound range with the three types of display described below. **B**

Press [DISPLAY MODE].

The spectrum display will change as follows.

1 Normal display

This display indicates the strength of the sound in each tonal range.

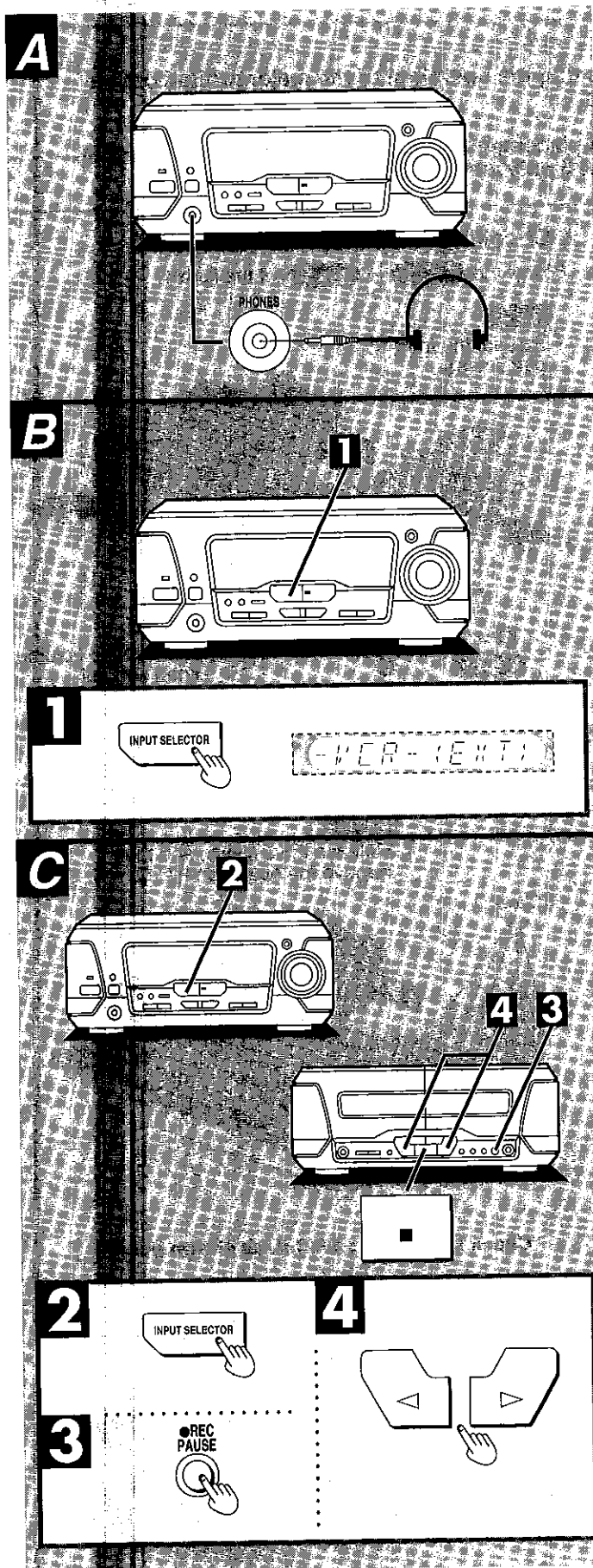
2 Peak-hold display

The peak sound value of each sound range is held on the display for about one second after it occurs.

3 Aurora display

The peak sound value of each sound range is displayed in inverted form.

■ Using an External Unit



To use headphones **A**

- Before connecting, reduce the volume level.
- Avoid listening for prolonged periods of time to prevent hearing damage.
- Plug type: 3.5 mm stereo

Listening to an external source **B**

- 1** Press [INPUT SELECTOR] to select the external source.

Each time you press this button, sound sources will be switched as follows.

TUNER → CD → TAPE → VCR (EXT) → AUX (DVD)

- 2** Operate the external unit which you have connected to the system.

Refer to your equipment's operating instructions.

Recording from an external source **C**

- 1** Press [△ OPEN] on deck 2 and insert the tape.
- 2** Press [INPUT SELECTOR] to select the external source.
- 3** Press [● REC PAUSE] to put the cassette deck into the recording standby mode.
- 4** Press [◀] or [▶] to start recording.
- 5** Start playing the source to be recorded.
- Refer to your equipment's operating instructions.

To stop recording:

Press [■] on the cassette deck.

To briefly interrupt recording:

Press [● REC PAUSE].

The cassette deck will go into the recording standby mode.

To resume recording:

Press [◀] or [▶] corresponding to the direction in which recording is taking place.

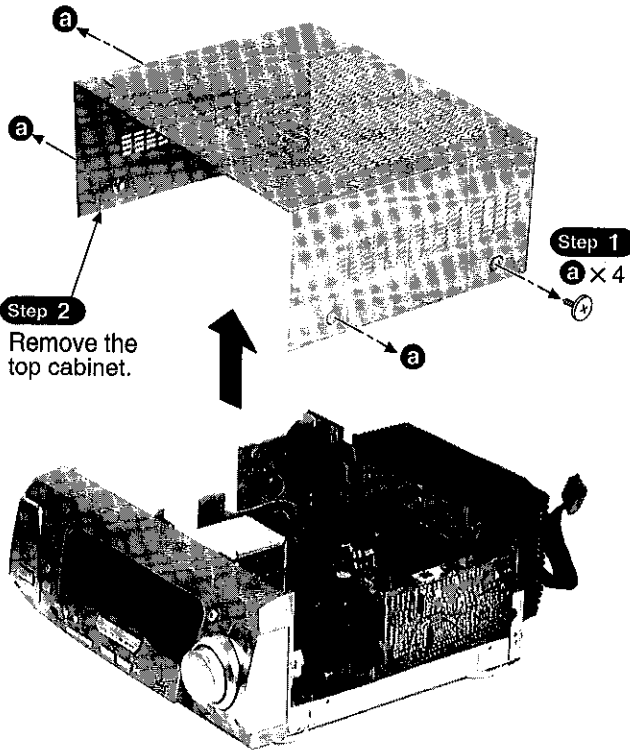
Recording on an external unit

First, select the source with [INPUT SELECTOR]. Start recording on an external unit, and then start playing the source to be recorded.

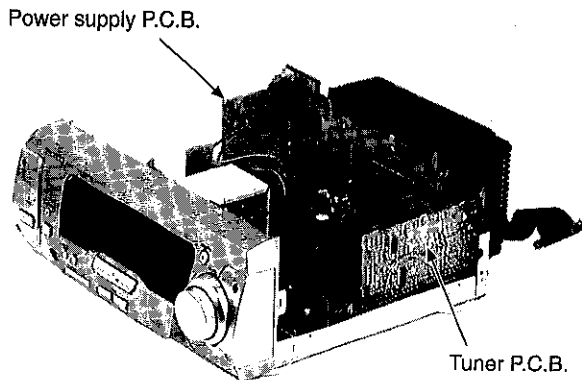
Operation Checks and Component Replacement Procedures

- NOTE**
1. This section describes procedures for checking the operation of the major printed circuit boards and replacing the main components.
 2. For reassembly after operation checks or replacement, reverse the respective procedures. Special reassembly procedures are described only when required.

1. Checking for the tuner P.C.B. and power supply P.C.B.

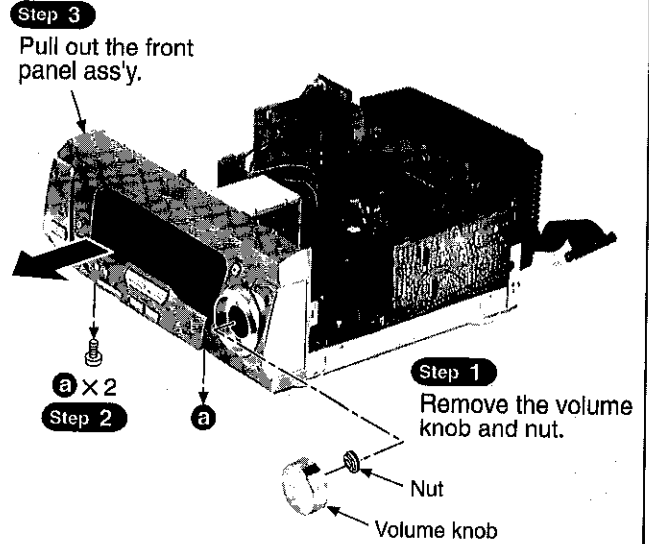


- Check the tuner P.C.B. and power supply P.C.B. as shown below.

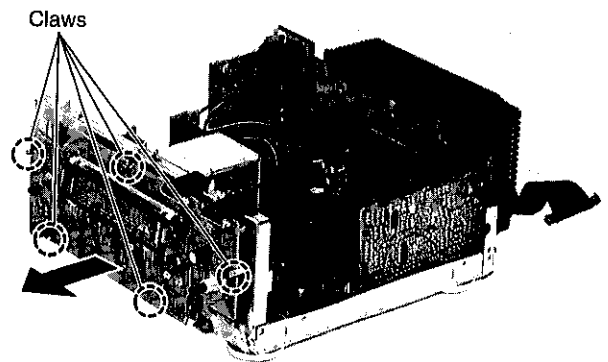


2. Checking for the operation P.C.B.

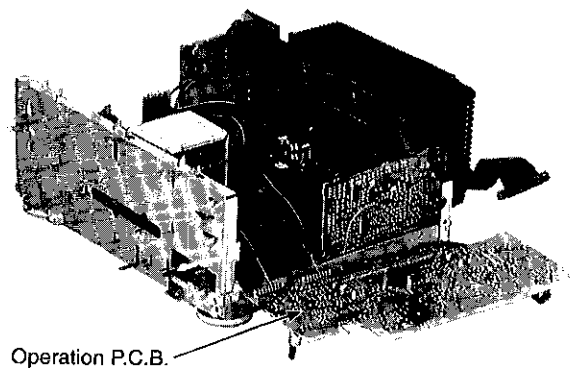
- Follow the Step 1 ~ Step 2 of the item 1.



- Step 4
Release the 5 claws, and then remove the operation P.C.B..

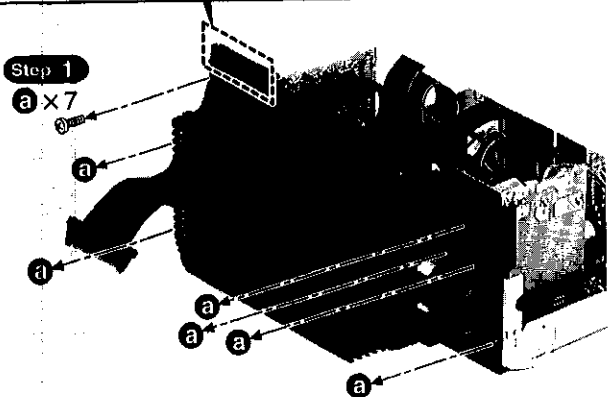
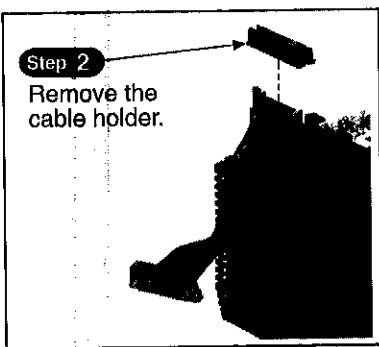


- Check the operation P.C.B. as shown below.

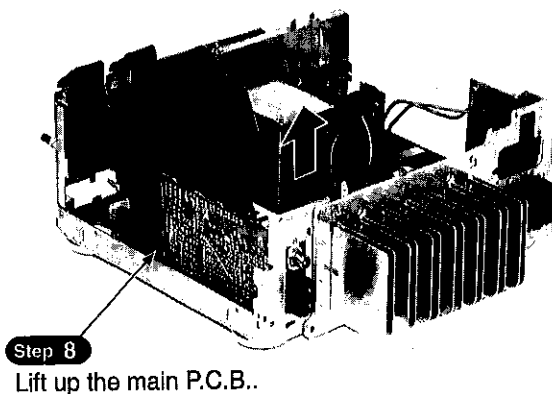
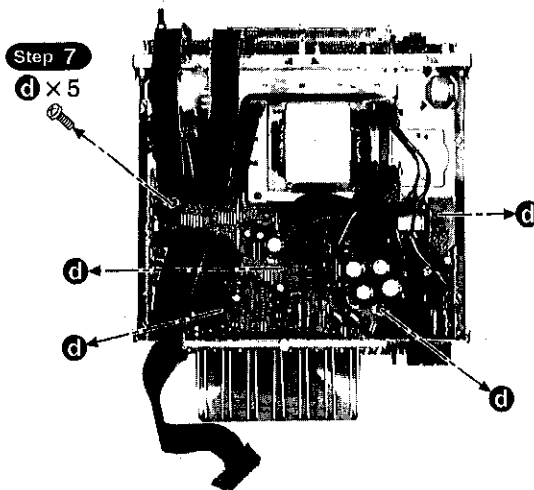
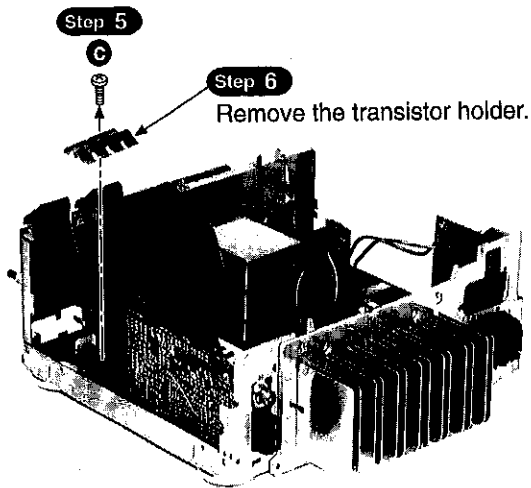
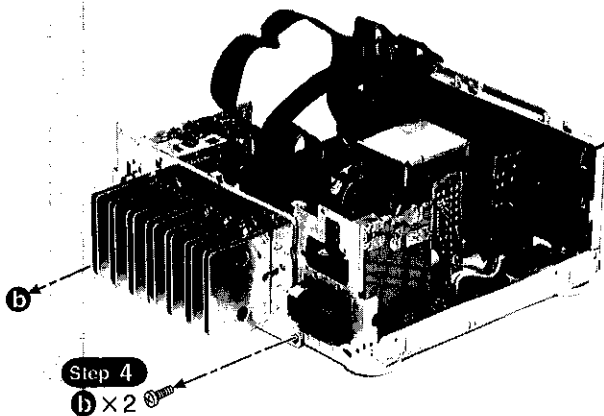
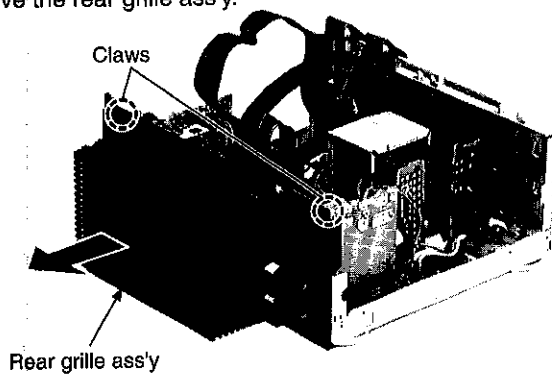


3. Checking for the main P.C.B.

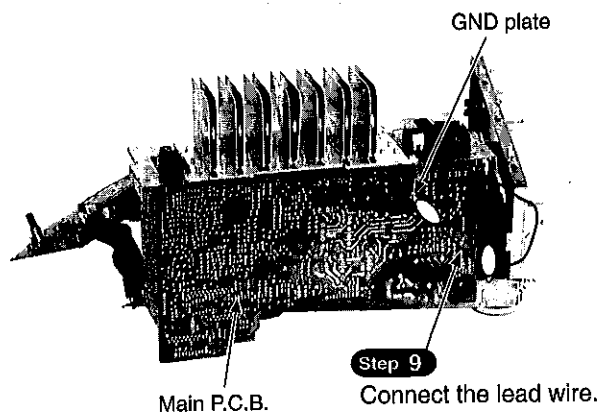
- Follow the Step 1 ~ Step 2 of the item 1.
- Follow the Step 1 ~ Step 4 of the item 2.



Step 3
Release the 2 claws, and then remove the rear grille ass'y.

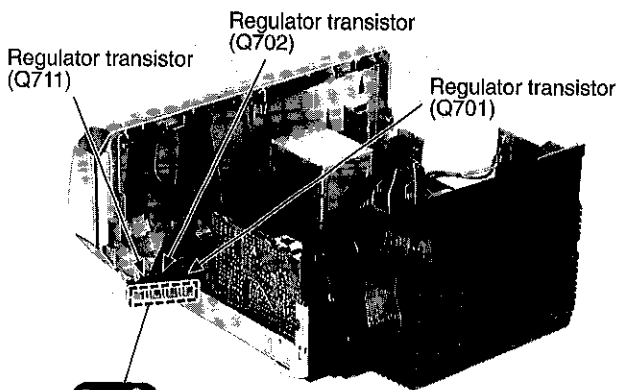
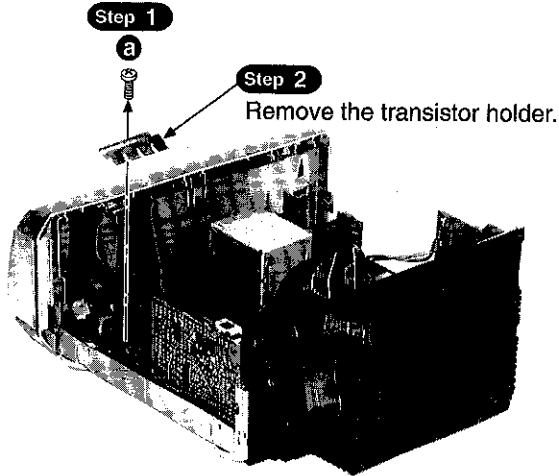


- Check the main P.C.B. as shown below.



4. Replacement for the regulator transistor

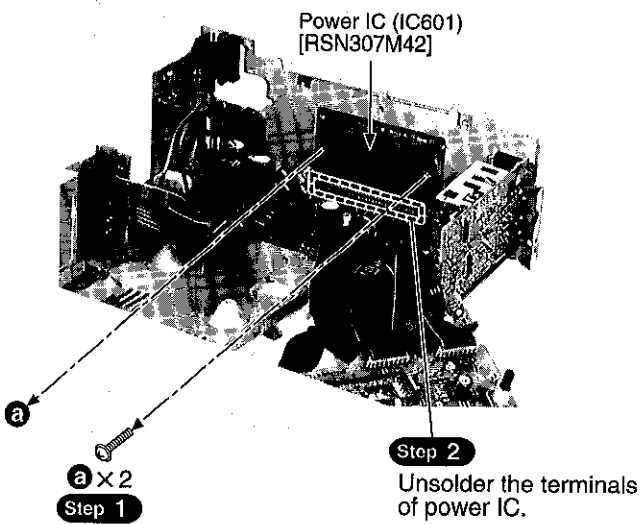
Follow the **Step 1** ~ **Step 2** of the item 1.



Step 3
Unsolder the terminals of regulator transistors.

5. Replacement for the power IC

- Follow the **Step 1** ~ **Step 2** of the item 1.
- Follow the **Step 1** ~ **Step 4** of the item 2.
- Follow the **Step 1** ~ **Step 8** of the item 3.

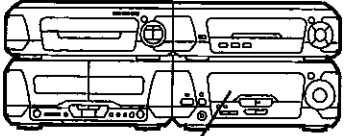
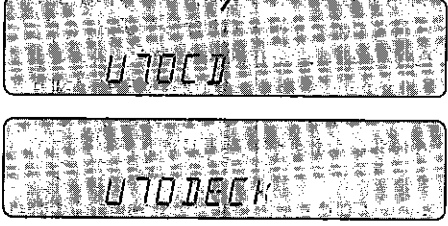


NOTE

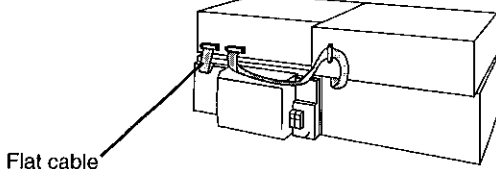
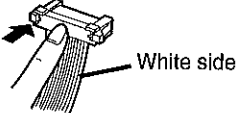
When mounting the power IC apply silicone compound (RFKX0002) to the rear side of power IC.

■ Self-Diagnostic Mode

This unit is equipped with a self-diagnostic function which, in the event of a malfunction, automatically displays a code indicating the nature of the malfunction. Use this self-diagnostic function when servicing the unit.

Display method	Display location
<p>To display the malfunction code</p> <p>U70 CD: U70 DECK: Automatically displays on the tuner/amplifier when a malfunction occurs.</p> <p>F61 Automatically displays on the tuner/amplifier when a malfunction occurs.</p> <p>To return to the normal display</p> <p>1. For U70 CD/U70 DECK:</p> <ul style="list-style-type: none"> ● Press any operation button on the tuner/amplifier. ● To re-display the code, switch the power off (POWER STANDBY button), and then switch power back on again. <p>2. For F61:</p> <ul style="list-style-type: none"> ● If "F61" is displayed, the power will automatically be switched off and the standby indicator will light up. ● "F61" will be displayed for 3 seconds, and then the clock will be displayed. ● To re-display the code, switch the power on. "F61" will be re-displayed, and then after 3 seconds the clock will be displayed and the power will automatically switch off. 	<p>CD Changer (SL-EH550) Sound processor (SH-EH550)</p>  <p>Cassette deck (RS-EH750) Tuner/Amplifier (SA-EH550)</p> 

Display contents

Display code	Problem or condition	Correction procedure
<p>U70 CD U70 DECK (displayed automatically)</p>	<p>A bus-line communications error has occurred as a result of the flat cables being inserted incorrectly, thus preventing the system from operating.</p> <p>1. If "U70" is displayed on the tuner/amplifier, the tape deck or CD Player cannot be operated by remote control.</p>	<p>Correction procedure</p>  <p>1. To check for correct insertion of the flat cables.</p> <ol style="list-style-type: none"> ① Insert each connector until you hear a click. ② Insert the flat cables at the back of the unit in the order indicated. Make sure the white side of the cable is on your right side.  <p>2. Breakage of flat cable. (Check and replace as necessary.)</p> <p>3. If the problem is not corrected by items (1.) and (2.) above, this indicates a faulty IC.</p> <p>SA-EH550: IC901 (LC8A524A5K01)</p> <p>SL-EH550: IC451 (M38504M6200F)</p> <p>RS-EH750: IC701 (M38503M2400F)</p> <p>Check these IC's and replace as necessary.</p>
<p>F61</p>	<p>When the power switch is switched on, it automatically switches back off, making it impossible to switch power on.</p>	<ul style="list-style-type: none"> ● Faulty Tuner/Amplifier (SA-EH550) output IC (IC601). (When a DC voltage is applied to the speaker terminals.)

■ Schematic Diagram

	Page		Page
A TUNER CIRCUIT	25,26	E AC IN CIRCUIT	33
B OPERATION CIRCUIT	27~29	F POWER TRANSFORMER (A) CIRCUIT	33
C MAIN CIRCUIT	30~33	G POWER TRANSFORMER (B) CIRCUIT	33
D POWER SUPPLY CIRCUIT	33		

- This schematic diagram may be modified at any time with the development of new technology.

Notes:

- **S901** : Power "Standby/on" switch (⏻ / I)
- **S902** : ECO mode switch (ECO)
- **S903** : Clock timer, demo switch (CLOCK/TIMER, ■ DEMO)
- **S904** : Play timer/Record timer switch (⊙PLAY/⊙REC)
- **S905** : FM mode select switch (FM AUTO/MONO)
- **S906** : Tuning mode select switch (TUNING MODE)
- **S907** : Set switch (SET)
- **S908** : Source input select switch (INPUT SELECTOR)
- **S910** : Tuning down switch (TUNING ∨)
- **S911** : Tuning up switch (TUNING ∧)
- **S912** : Tuner/band select switch (TUNER/BAND)
- **S913** : Super woofer switch (S.WOOFER)
- **VR901** : Volume control VR (VOLUME)

- Indicated voltage values are the standard values for the unit measured by the DC electronic circuit tester (high-impedance) with the chassis taken as standard. Therefore, there may exist some errors in the voltage values, depending on the internal impedance of the DC circuit tester.

No mark: FM () : AM

- Important safety notice:

Components identified by ⚠ mark have special characteristics important for safety.

Furthermore, special parts which have purposes of fire-retardant (resistors), high-quality sound (capacitors), low-noise (resistors), etc. are used. When replacing any of components, be sure to use only manufacturer's specified parts shown in the parts list.

- **Caution!**

IC and LSI are sensitive to static electricity.

Secondary trouble can be prevented by taking care during repair.

Cover the parts boxes made of plastics with aluminum foil.

Ground the soldering iron.


Put a conductive mat on the work table.

Do not touch the legs of IC or LSI with the fingers directly.

- **Voltage and signal line**

 : Positive voltage line


 : Negative voltage line

 : AM signal line

 : AM OSC signal line

 : FM signal line

 : FM OSC signal line

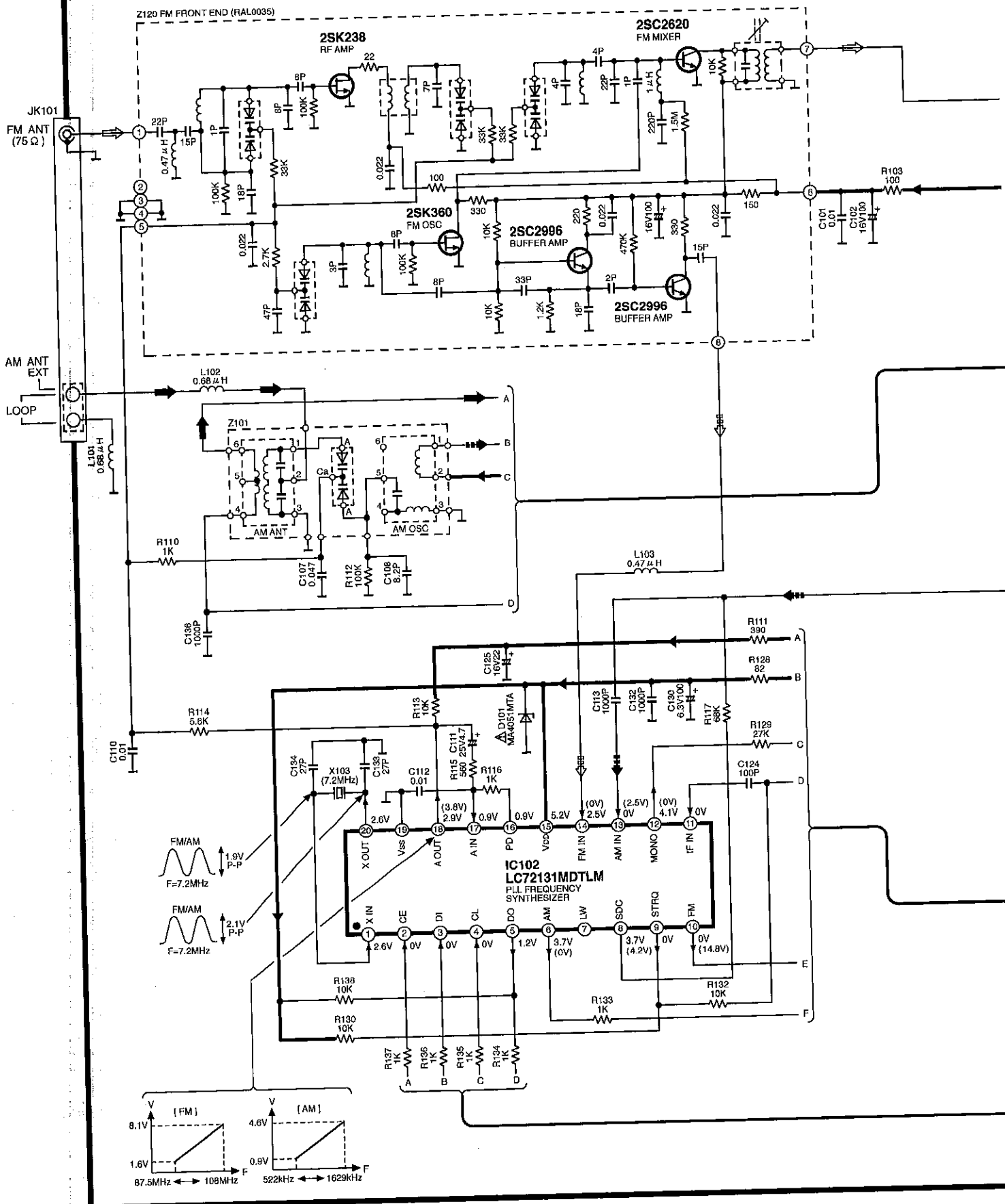
 : Source signal line

SCHEMATIC DIAGRAM-1

NOTE:
 The number which noted at the connectors on the schematic diagram as "SCHEMATIC DIAGRAM-1" or "SCHEMATIC DIAGRAM-2" indicates the schematic diagram serial number located on the left corner in the schematic diagram.

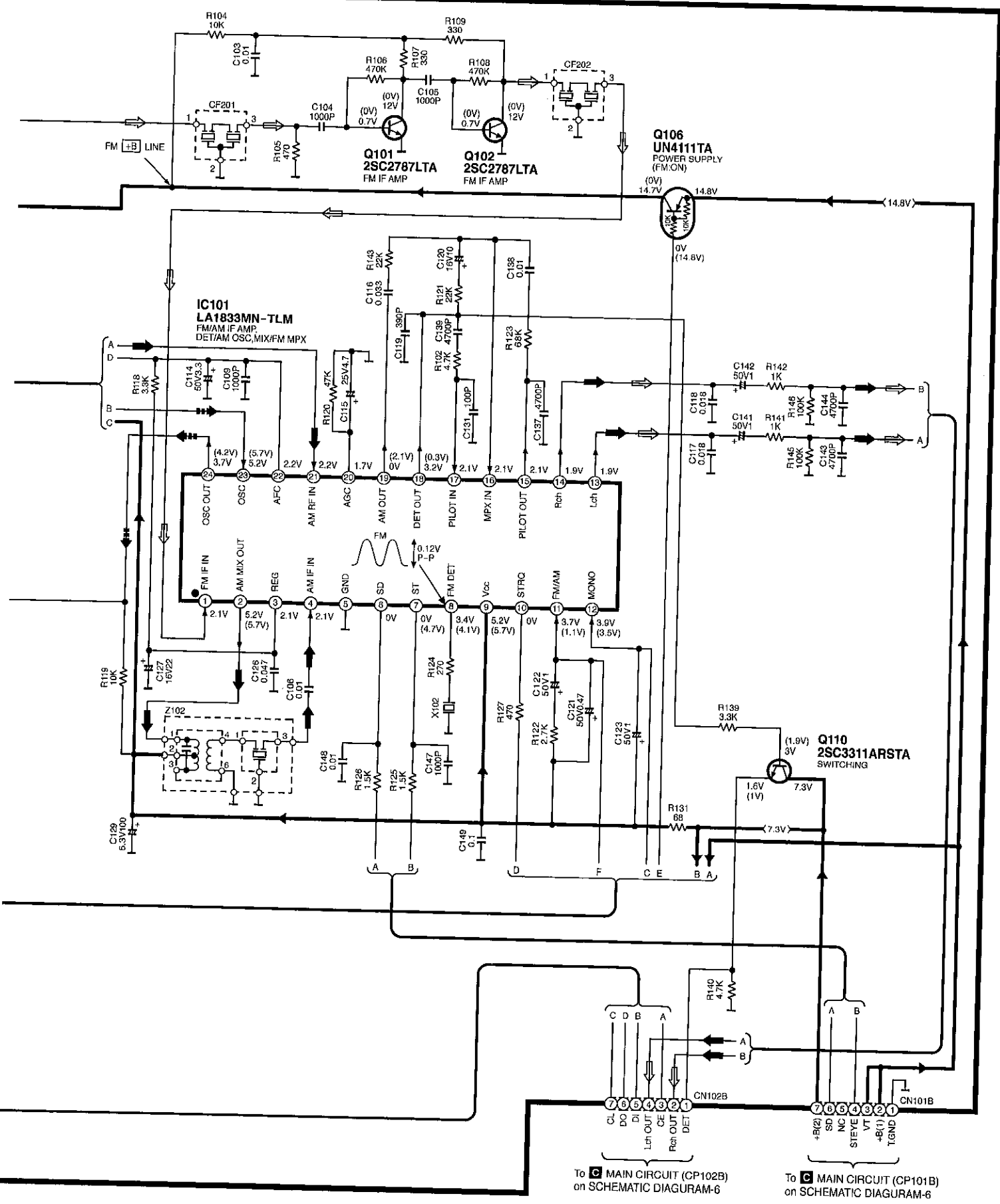
A TUNER CIRCUIT

◀ : FM OSC SIGNAL LINE ▶ : FM SIGNAL LINE
 ◀ : AM OSC SIGNAL LINE ▶ : AM SIGNAL LINE
 → : POSITIVE VOLTAGE LINE



SCHEMATIC DIAGRAM-2

→ : POSITIVE VOLTAGE LINE ⇨ : FM SIGNAL LINE ➔ : AM SIGNAL LINE ⇨⇨ : AM OSC SIGNAL LINE

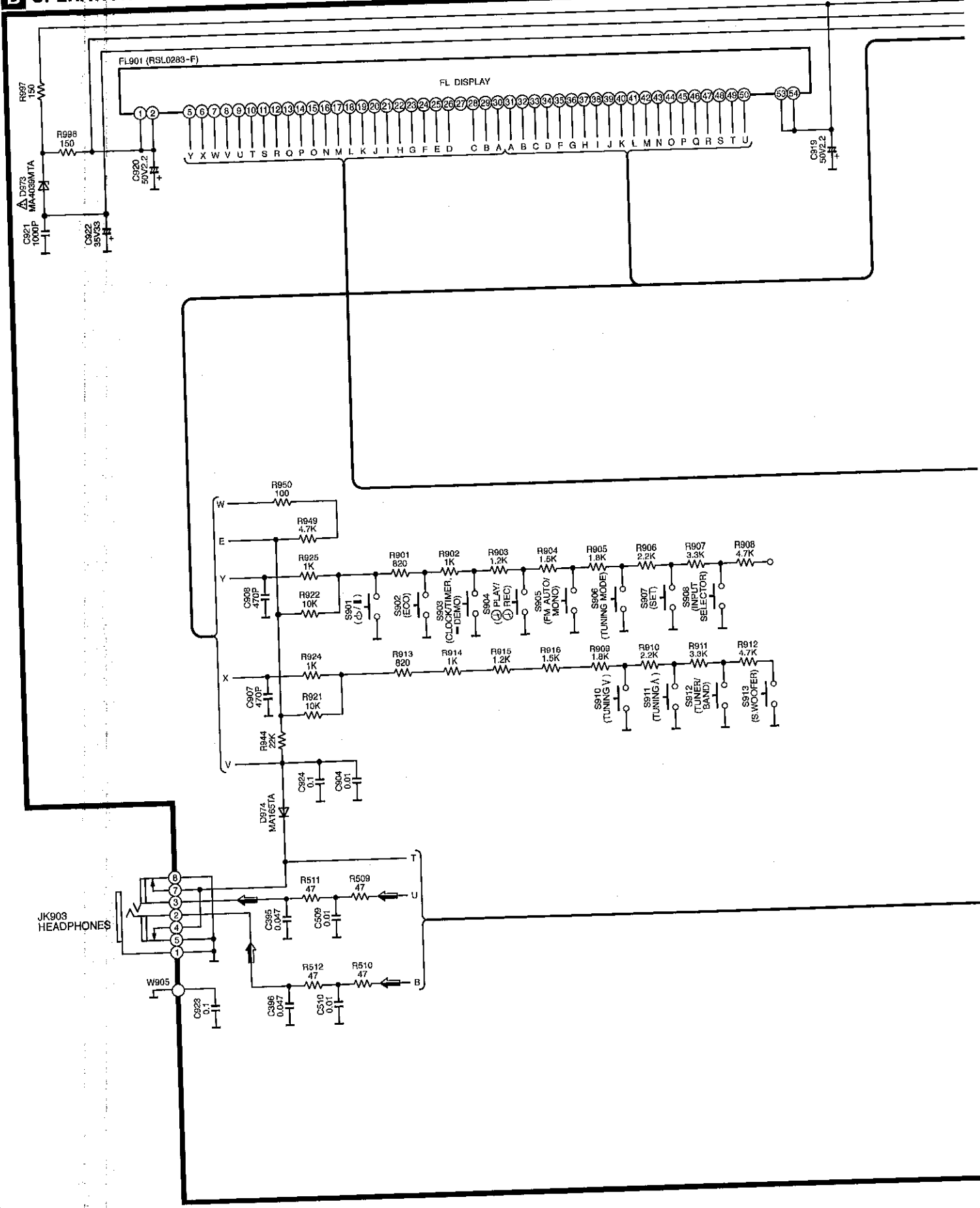


To **C** MAIN CIRCUIT (CP102B) on SCHEMATIC DIAGRAM-6

To **C** MAIN CIRCUIT (CP101B) on SCHEMATIC DIAGRAM-6

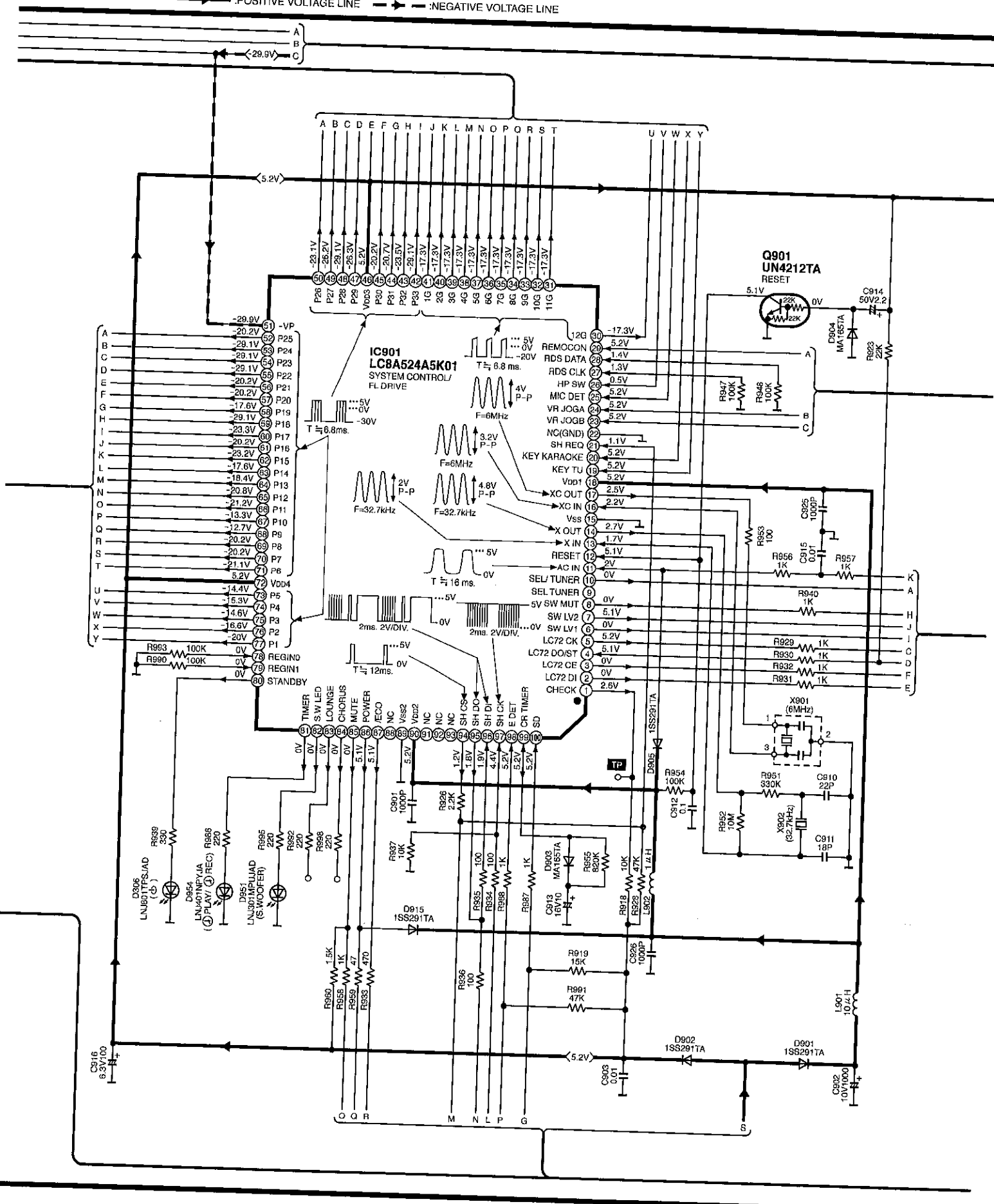
SCHEMATIC DIAGRAM-3
B OPERATION CIRCUIT

→ SOURCE SIGNAL LINE



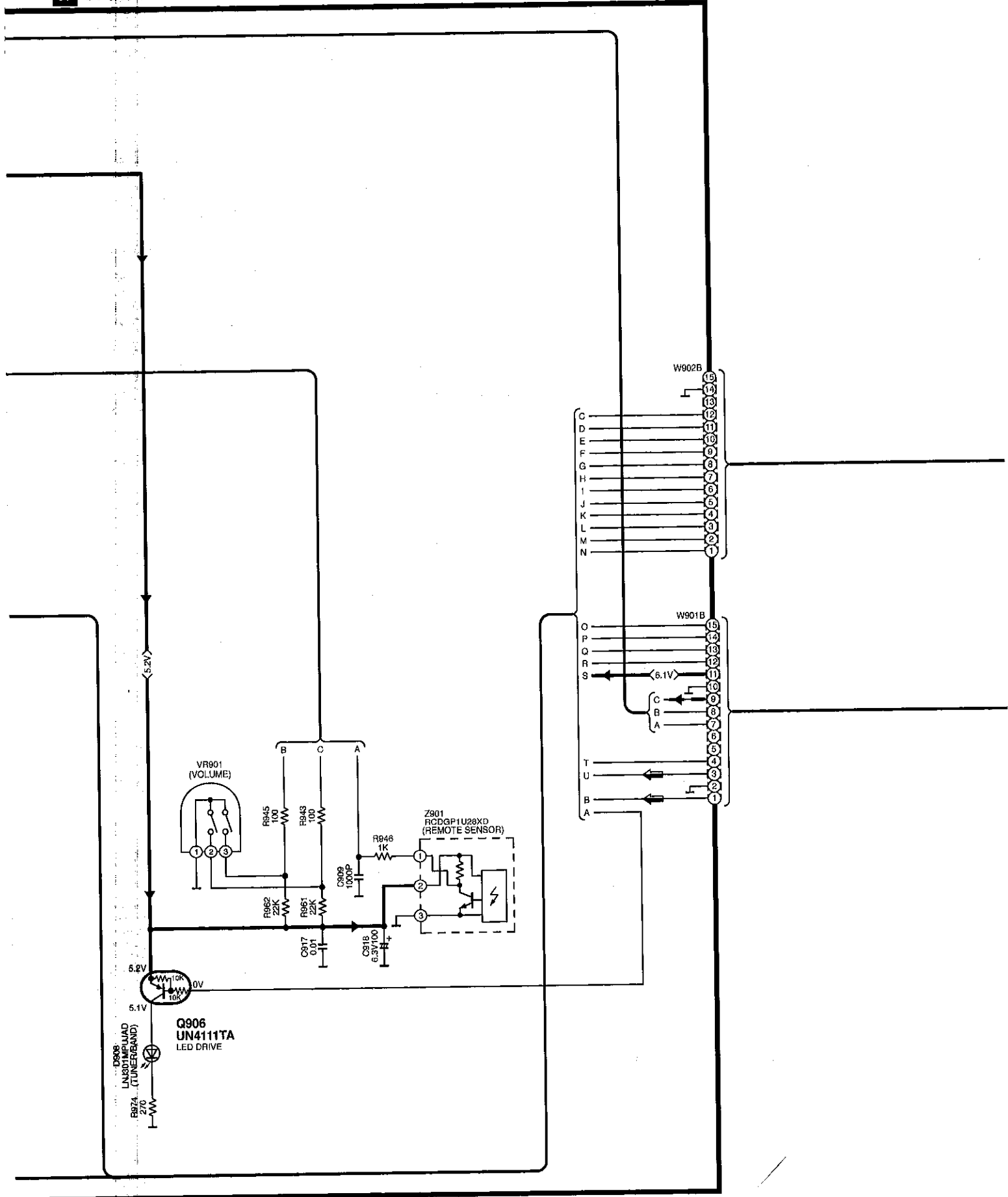
SCHEMATIC DIAGRAM-4

→ POSITIVE VOLTAGE LINE - - - - - NEGATIVE VOLTAGE LINE



SCHEMATIC DIAGRAM-5
B OPERATION CIRCUIT

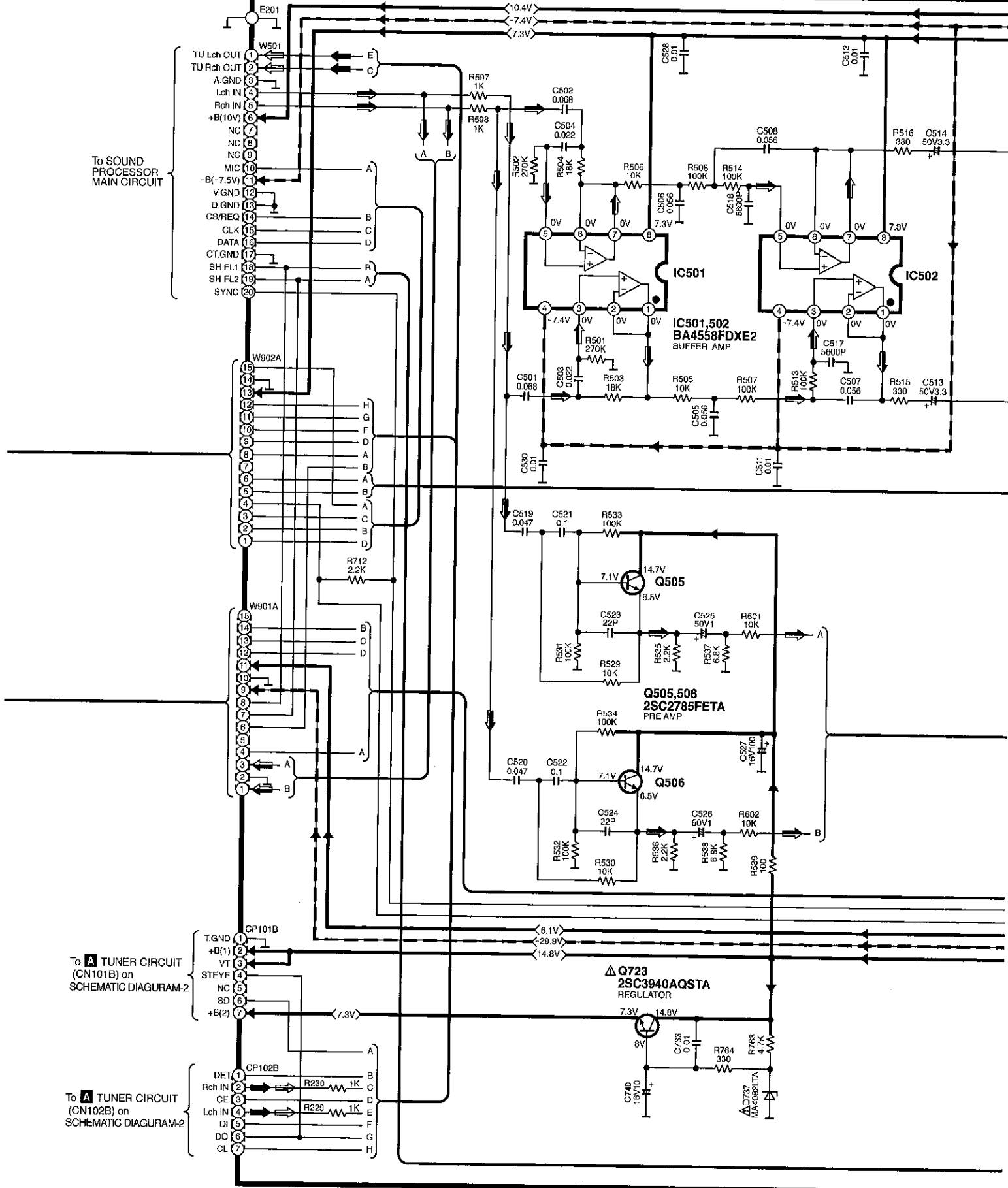
→ : POSITIVE VOLTAGE LINE
 ← : NEGATIVE VOLTAGE LINE
 ⇨ : SOURCE SIGNAL LINE



SCHEMATIC DIAGRAM-6

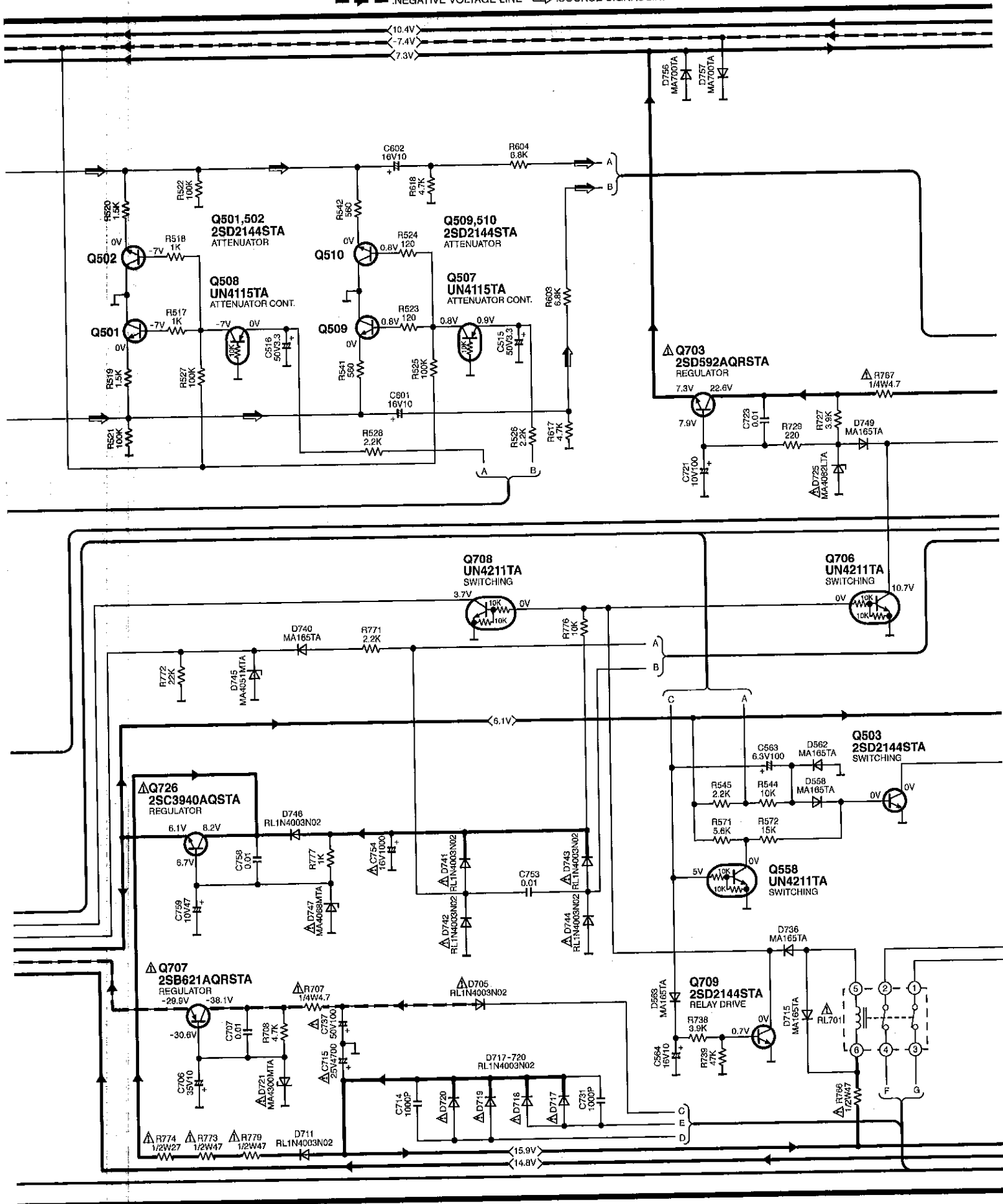
C MAIN CIRCUIT

——— : POSITIVE VOLTAGE LINE ⇨ : FM SIGNAL LINE
 - - - : NEGATIVE VOLTAGE LINE ⇨ : AM SIGNAL LINE ⇨ : SOURCE SIGNAL LINE



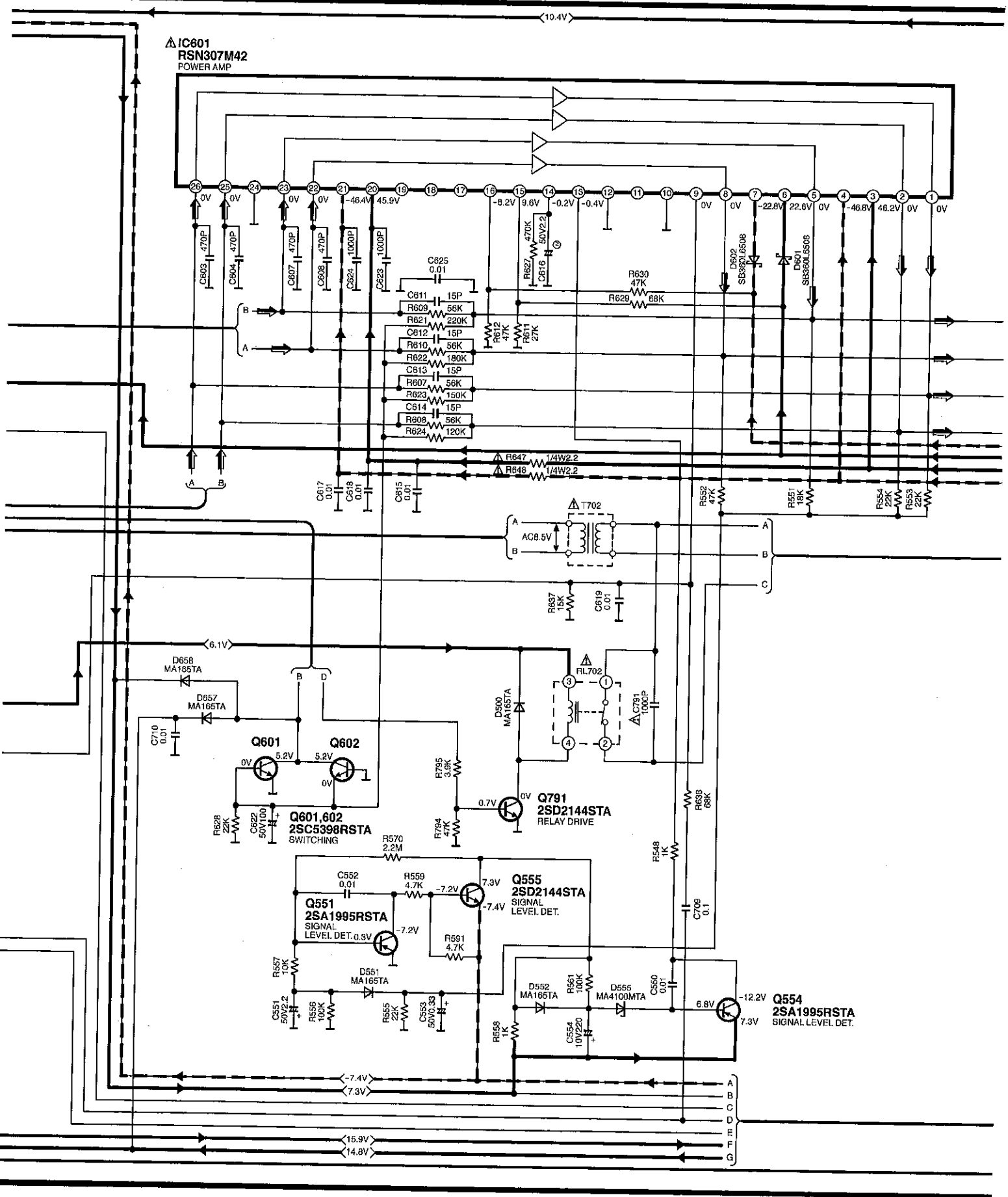
SCHEMATIC DIAGRAM-7

→ : POSITIVE VOLTAGE LINE
 - - - : NEGATIVE VOLTAGE LINE ⇨ : SOURCE SIGNAL LINE



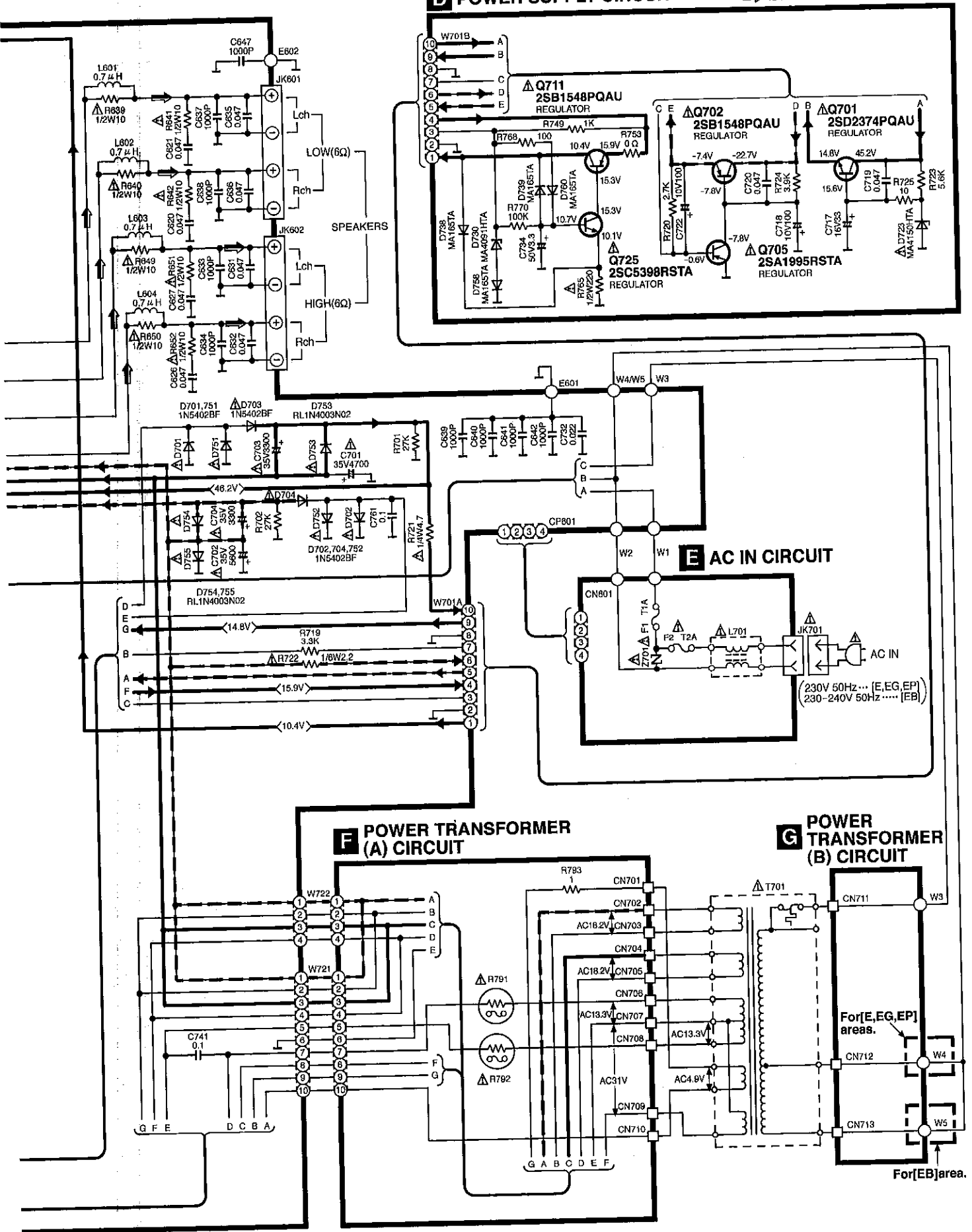
SCHEMATIC DIAGRAM-8
C MAIN CIRCUIT

→ : POSITIVE VOLTAGE LINE
 -→ : NEGATIVE VOLTAGE LINE → : SOURCE SIGNAL LINE



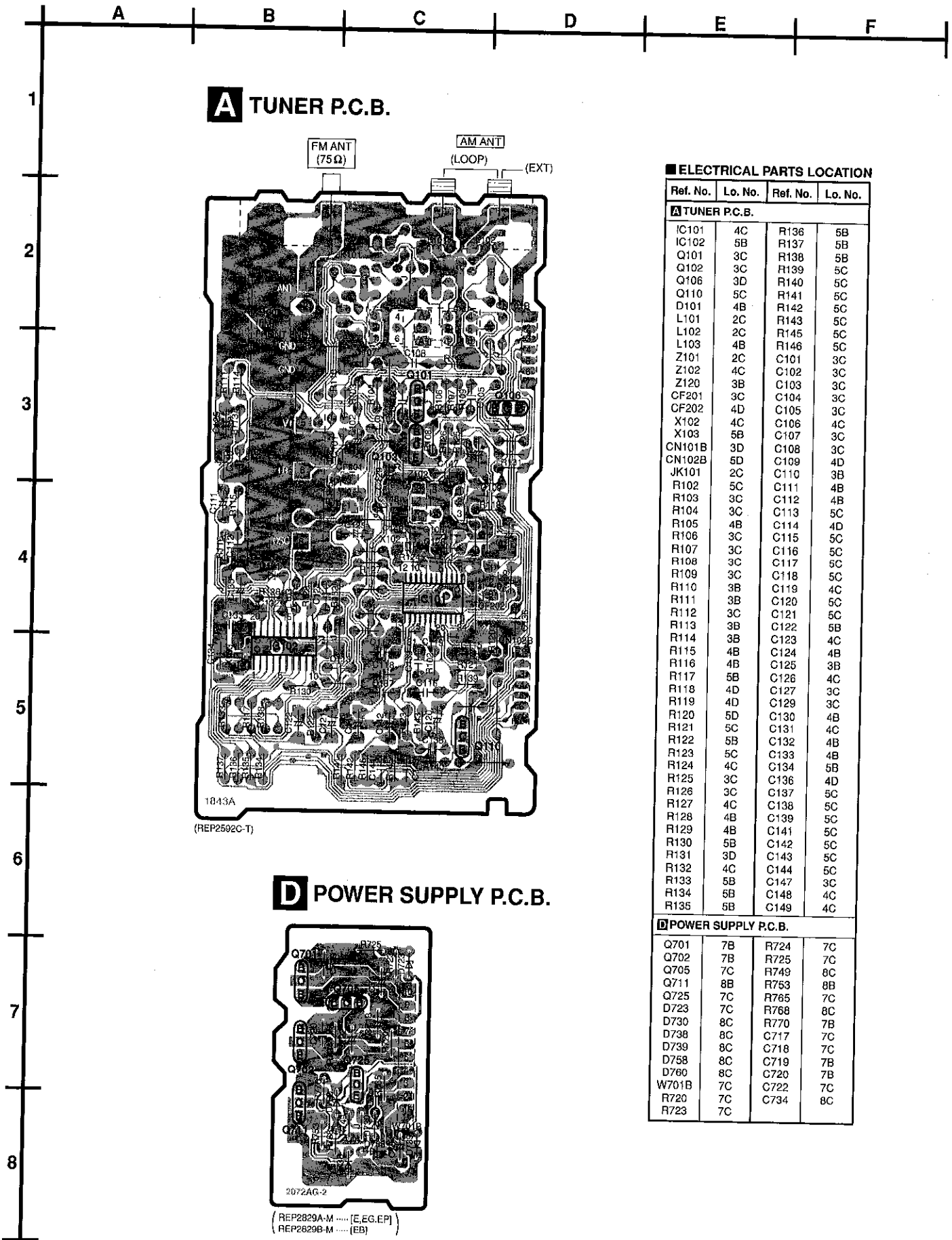
SCHEMATIC DIAGRAM-9

→ : POSITIVE VOLTAGE LINE
 ← : NEGATIVE VOLTAGE LINE
 ⇨ : SOURCE SIGNAL LINE

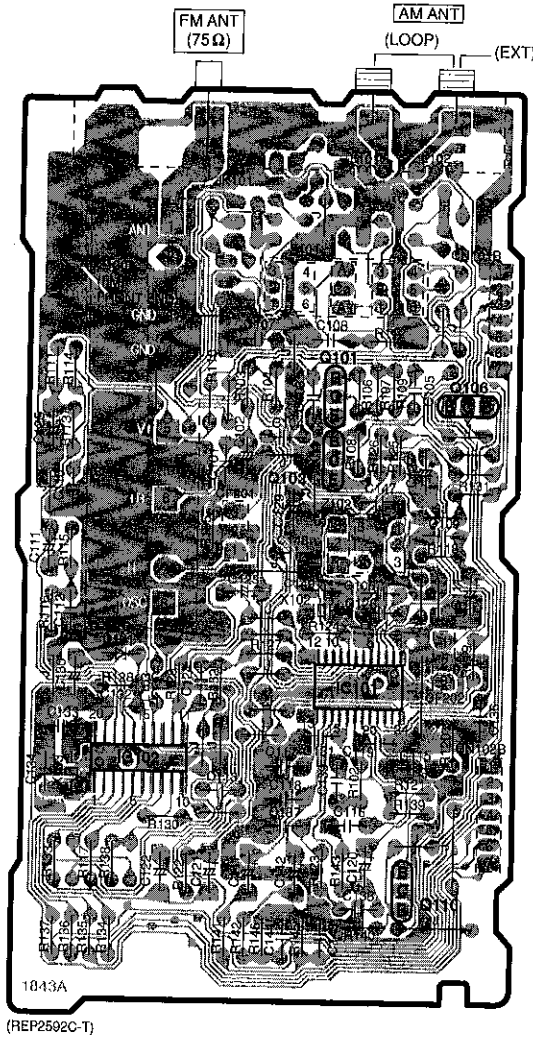


Printed Circuit Board Diagram

• This circuit board diagram may be modified at any time with the development of new technology.



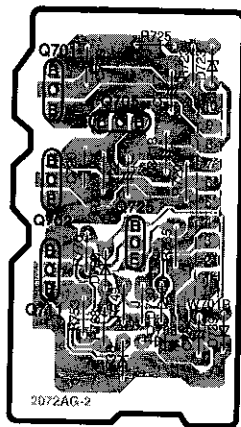
A TUNER P.C.B.



ELECTRICAL PARTS LOCATION

Ref. No.	Lo. No.	Ref. No.	Lo. No.
A TUNER P.C.B.			
IC101	4C	R136	5B
IC102	5B	R137	5B
Q101	3C	R138	5B
Q102	3C	R139	5C
Q106	3D	R140	5C
Q110	5C	R141	5C
D101	4B	R142	5C
L101	2C	R143	5C
L102	2C	R145	5C
L103	4B	R146	5C
Z101	2C	C101	3C
Z102	4C	C102	3C
Z120	3B	C103	3C
CF201	3C	C104	3C
CF202	4D	C105	3C
X102	4C	C106	4C
X103	5B	C107	3C
CN101B	3D	C108	3C
CN102B	5D	C109	4D
JK101	2C	C110	3B
R102	5C	C111	4B
R103	3C	C112	4B
R104	3C	C113	5C
R105	4B	C114	4D
R106	3C	C115	5C
R107	3C	C116	5C
R108	3C	C117	5C
R109	3C	C118	5C
R110	3B	C119	4C
R111	3B	C120	5C
R112	3C	C121	5C
R113	3B	C122	5B
R114	3B	C123	4C
R115	4B	C124	4B
R116	4B	C125	3B
R117	5B	C126	4C
R118	4D	C127	3C
R119	4D	C129	3C
R120	5D	C130	4B
R121	5C	C131	4C
R122	5B	C132	4B
R123	5C	C133	4B
R124	4C	C134	5B
R125	3C	C136	4D
R126	3C	C137	5C
R127	4C	C138	5C
R128	4B	C139	5C
R129	4B	C141	5C
R130	5B	C142	5C
R131	3D	C143	5C
R132	4C	C144	5C
R133	5B	C147	3C
R134	5B	C148	4C
R135	5B	C149	4C
D POWER SUPPLY P.C.B.			
Q701	7B	R724	7C
Q702	7B	R725	7C
Q705	7C	R749	8C
Q711	8B	R763	8B
Q725	7C	R765	7C
D723	7C	R768	8C
D730	8C	R770	7B
D738	8C	C717	7C
D739	8C	C718	7C
D758	8C	C719	7B
D760	8C	C720	7B
W701B	7C	C722	7C
R720	7C	C734	8C
R723	7C		

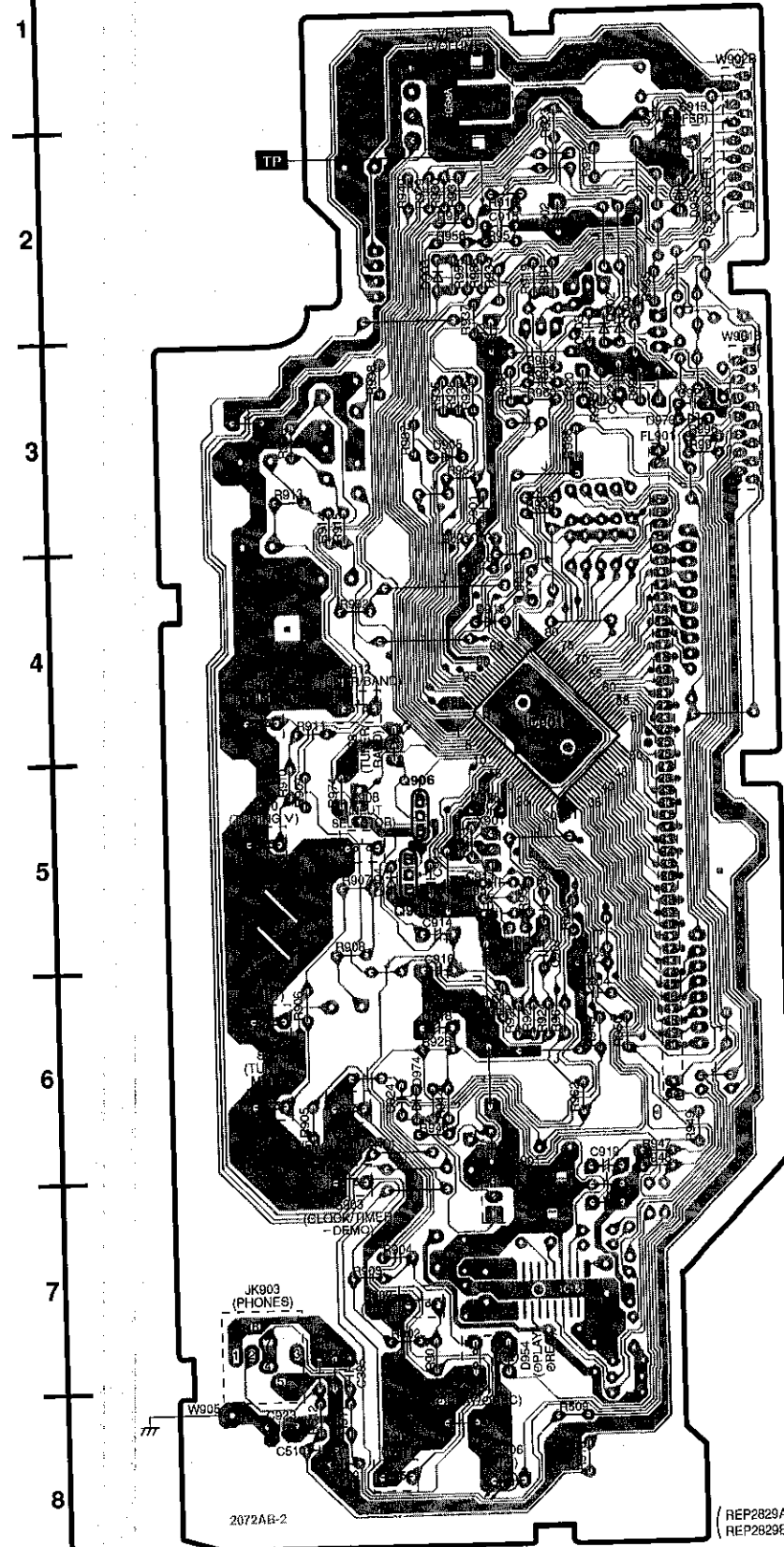
D POWER SUPPLY P.C.B.



(REP2829A-M [E,EG,EP])
 (REP2829B-M [EB])

A B C D E F

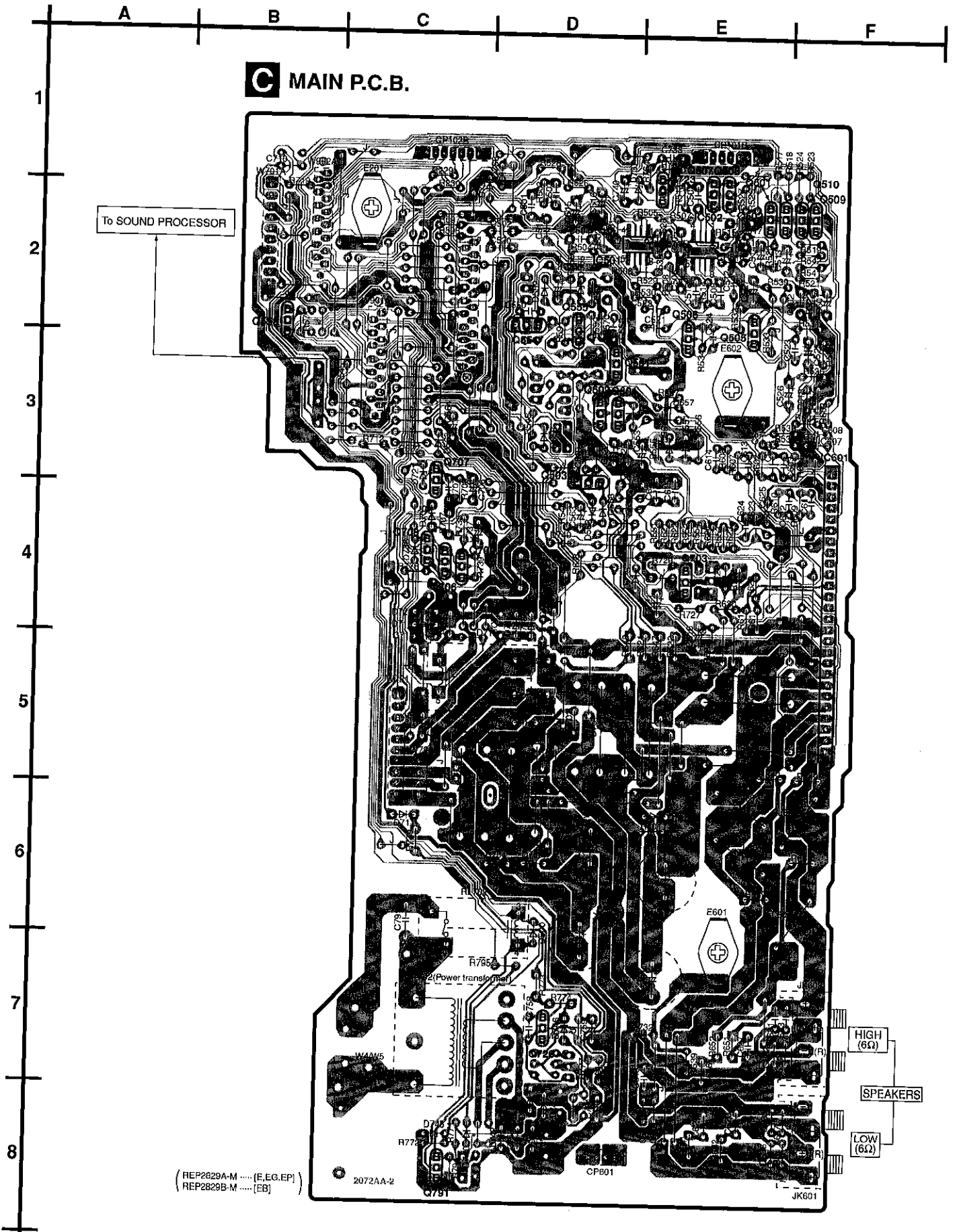
B OPERATION P.C.B.



ELECTRICAL PARTS LOCATION

Ref. No.	Lo. No.	Ref. No.	Lo. No.	Ref. No.	Lo. No.
B OPERATION P.C.B.					
IC901	4C	R905	6B	R957	2C
Q901	5B	R906	6B	R958	3C
Q906	5B	R907	5B	R959	3C
D306	8C	R908	5B	R961	6C
D901	2C	R909	5B	R962	6C
D902	2C	R910	5B	R974	5B
D903	2B	R911	4B	R986	3C
D904	5B	R912	2C	R987	3B
D905	3B	R913	3B	R988	2C
D908	4B	R914	3B	R990	3C
D915	4C	R915	3B	R991	2C
D951	2D	R916	3B	R992	4B
D954	7C	R918	2C	R993	3C
D973	3D	R919	2C	R995	2C
D974	6B	R921	6C	R996	3D
VR901	1C	R922	6C	R997	3D
L901	4C	R923	1C	R998	3B
L902	3C	R924	6C	C395	7B
Z901	7C	R925	6C	C396	7B
X901	5C	R926	3C	C509	8B
X902	5C	R928	6B	C510	8B
FL901	4C	R929	2B	C901	3C
S901	8B	R930	2B	C902	2C
S902	7B	R931	2C	C903	2C
S903	7B	R932	2B	C904	6C
S904	7B	R933	3C	C907	5C
S905	6B	R934	2C	C908	5C
S906	6B	R935	3B	C909	6C
S907	6B	R936	3B	C910	5C
S908	5B	R937	2C	C911	5C
S910	5B	R939	3C	C912	5B
S911	4B	R940	2B	C913	3C
S912	4B	R943	5C	C914	5B
S913	2D	R944	6B	C915	2C
W901B	3D	R945	6C	C916	6B
W902B	2D	R946	6B	C917	6C
W905	8A	R947	6C	C918	6B
JK903	7A	R948	6C	C919	6C
R509	8C	R949	6D	C920	3C
R510	8C	R950	6C	C921	3D
R511	8B	R951	5C	C922	3C
R512	8B	R952	5C	C923	8B
R901	7B	R953	5C	C924	6B
R902	7B	R954	3C	C925	5C
R903	7B	R955	2B	C926	4C
R904	7B	R956	2B		

(REP2829A-M [E,EG,EP])
 (REP2829B-M [EB])



C MAIN P.C.B.

To SOUND PROCESSOR

HIGH (6Ω)
SPEAKERS
LOW (6Ω)

(REP2829A-M [E.E.G.EP])
(REP2829B-M [EB])

2072AA-2

CP801

JK601

G

H

I

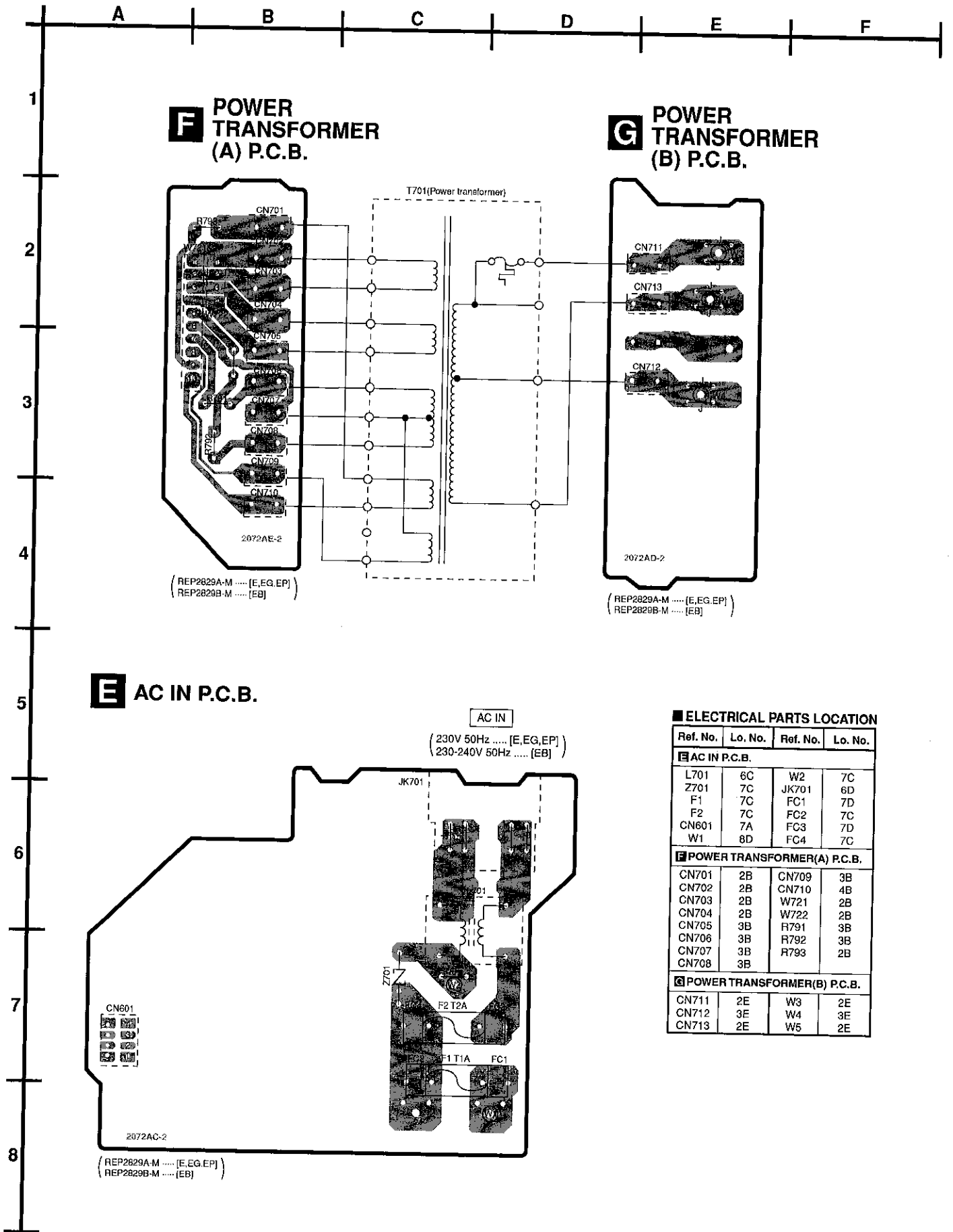
J

K

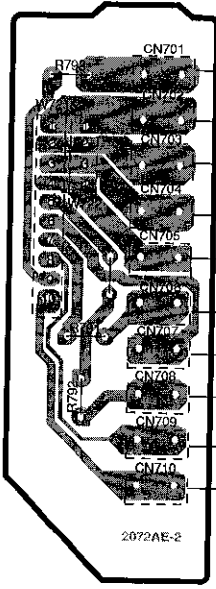
L

■ ELECTRICAL PARTS LOCATION

Ref. No.	Lo. No.	Ref. No.	Lo. No.	Ref. No.	Lo. No.	Ref. No.	Lo. No.	Ref. No.	Lo. No.	Ref. No.	Lo. No.
■ MAIN P.C.B.											
IC501	2D	D737	2D	R508	2E	R603	3F	R777	7D	C618	3E
IC502	2E	D740	8C	R513	2E	R604	3F	R779	6C	C619	3D
IC601	4F	D741	8D	R514	2E	R607	3E	R794	8C	C620	8E
Q501	2E	D742	8D	R515	2E	R608	3E	R795	7D	C621	8E
Q502	2E	D743	8D	R516	2E	R609	4F	C501	2D	C622	3D
Q503	3D	D744	8D	R517	1E	R610	4E	C502	2D	C623	4E
Q505	2E	D745	8C	R518	1E	R611	4E	C503	2D	C624	4E
Q506	2E	D746	7D	R519	2F	R612	4E	C504	2D	C625	4E
Q507	2E	D747	7D	R520	2E	R617	3F	C505	2E	C626	7E
Q508	2E	D749	4D	R521	2F	R618	3F	C506	2E	C627	7E
Q509	2F	D751	5D	R522	2F	R621	4E	C507	2E	C631	7F
Q510	2F	D752	5D	R523	1F	R622	4E	C508	2E	C632	7F
Q551	3D	D753	6E	R524	1F	R623	4E	C511	2E	C633	7F
Q554	2D	D754	6D	R525	2E	R624	4E	C512	2E	C634	7F
Q555	2D	D755	6D	R526	2D	R627	4E	C513	2E	C635	8F
Q558	2B	D756	1D	R527	2E	R628	3D	C514	2E	C636	8F
Q601	3D	D757	2C	R528	1D	R629	4E	C515	2D	C637	8F
Q602	3D	L601	6E	R529	2E	R630	4E	C516	2D	C638	8F
Q703	4E	L602	6E	R530	2E	R637	3D	C517	2E	C639	7E
Q706	4C	L603	6F	R531	2F	R638	4D	C518	2E	C640	7E
Q707	3C	L604	6F	R532	2E	R639	6E	C519	2D	C641	8E
Q708	4C	T702	7C	R533	2E	R640	5E	C520	2D	C642	8E
Q709	4C	RL701	5D	R534	2E	R641	8E	C521	2E	C647	3E
Q723	2E	RL702	6C	R535	3F	R642	8E	C522	2E	C701	7E
Q726	7D	JK601	8F	R536	3F	R647	5E	C523	3F	C702	6D
Q791	8C	JK602	7F	R537	3E	R648	5D	C524	2E	C703	6E
D500	6D	E201	2C	R538	3E	R649	5F	C525	3F	C704	6D
D551	3E	E601	7E	R539	2E	R650	6F	C526	3F	C706	4C
D552	2D	E602	3E	R541	2F	R651	7E	C527	2E	C707	4C
D555	2D	CP101B	1E	R542	2F	R652	7E	C528	2E	C709	4D
D558	4D	CP102B	1C	R544	4D	R701	6E	C530	2E	C710	1B
D562	4D	CP601	8D	R545	3C	R702	5D	C550	2D	C714	4C
D563	3C	W1	7C	R548	3D	R707	4C	C551	3E	C715	4D
D601	5E	W2	8C	R551	4E	R708	4C	C552	2D	C721	4E
D602	5E	W3	7C	R552	4E	R712	3C	C553	3E	C723	4E
D657	3E	W4/W5	7C	R553	4E	R719	2B	C554	2D	C731	4D
D658	3D	W501	2C	R554	4E	R721	5E	C563	4D	C732	7E
D701	5D	W701A	2B	R555	3E	R722	5E	C564	3C	C733	1E
D702	5D	W721	5C	R556	3E	R727	4E	C601	2F	C737	4C
D703	5E	W722	5C	R557	3E	R729	4E	C602	2F	C740	2D
D704	5C	W901A	3C	R558	2D	R738	4C	C603	3E	C741	5C
D705	4C	W902A	2B	R559	2D	R739	4C	C604	3E	C753	8D
D711	6C	R229	1C	R561	2D	R763	1E	C607	3F	C754	8D
D715	4C	R230	2C	R570	2D	R764	1E	C608	3F	C758	7D
D717	4D	R501	2D	R571	2B	R766	4C	C611	4F	C759	7D
D718	4D	R502	2D	R572	3C	R767	4E	C612	4F	C761	5D
D719	4C	R503	2D	R591	2D	R771	8C	C613	3E	C791	6C
D720	4C	R604	2D	R597	2C	R772	8C	C614	3E		
D721	3C	R505	2E	R598	2C	R773	7D	C615	3E		
D725	4E	R506	2E	R601	3F	R774	7D	C616	4E		
D736	4C	R507	2E	R602	3E	R776	4C	C617	3D		

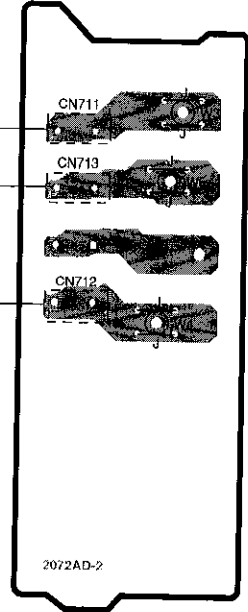


F POWER TRANSFORMER (A) P.C.B.



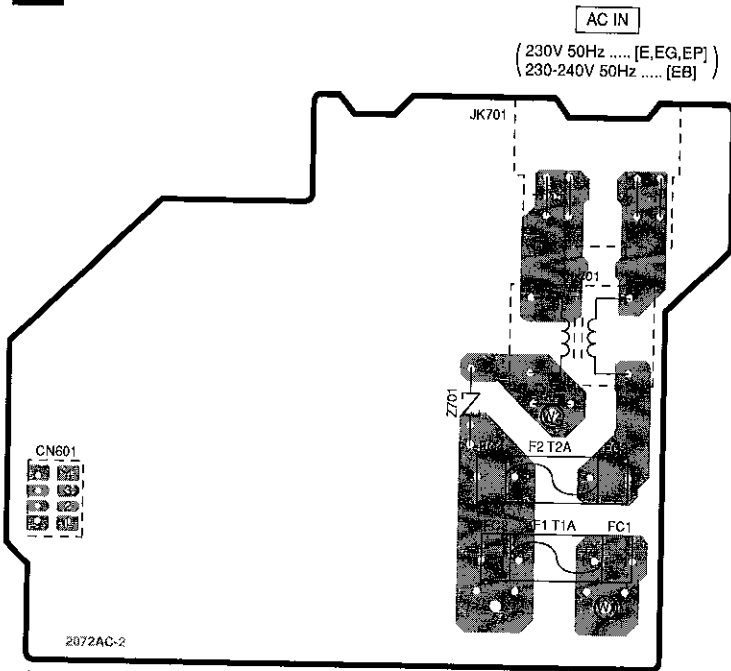
(REP2829A-M [E,EG,EP])
(REP2829B-M [EB])

G POWER TRANSFORMER (B) P.C.B.



(REP2829A-M [E,EG,EP])
(REP2829B-M [EB])

E AC IN P.C.B.

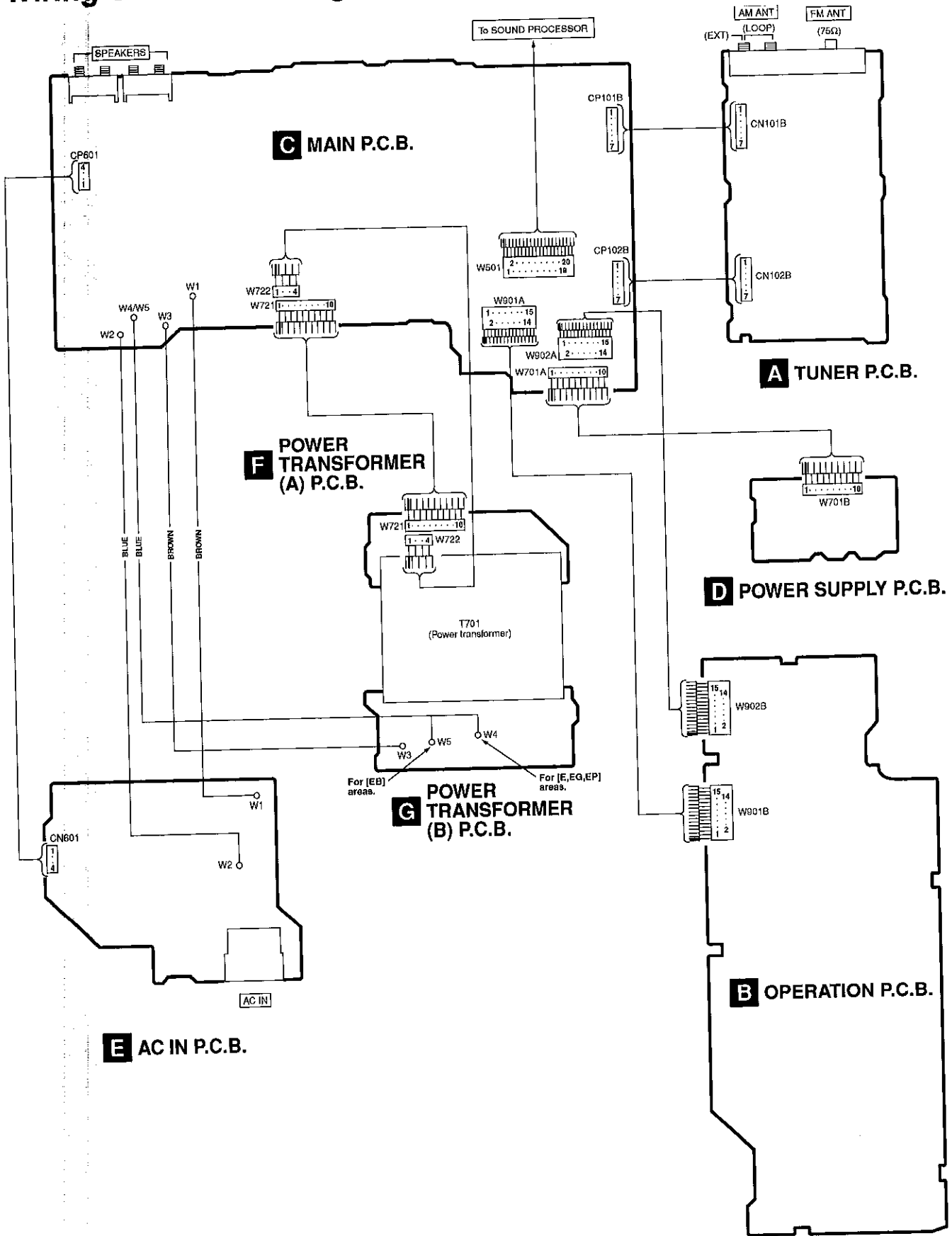


(REP2829A-M [E,EG,EP])
(REP2829B-M [EB])

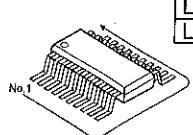
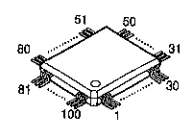
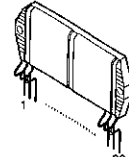
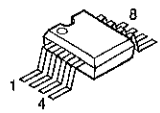
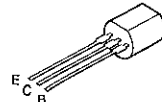

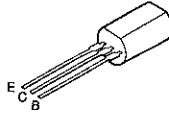
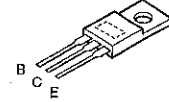
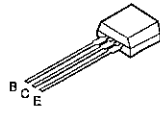
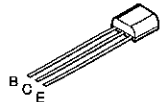
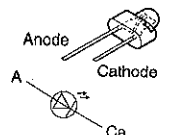
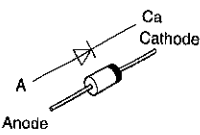
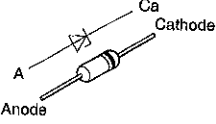
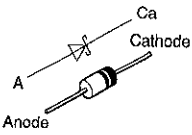
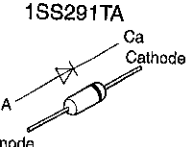
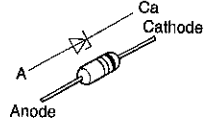
ELECTRICAL PARTS LOCATION

Ref. No.	Lo. No.	Ref. No.	Lo. No.
E AC IN P.C.B.			
L701	6C	W2	7C
Z701	7C	JK701	6D
F1	7C	FC1	7D
F2	7C	FC2	7C
CN601	7A	FC3	7D
W1	8D	FC4	7C
F POWER TRANSFORMER(A) P.C.B.			
CN701	2B	CN709	3B
CN702	2B	CN710	4B
CN703	2B	W721	2B
CN704	2B	W722	2B
CN705	3B	R791	3B
CN706	3B	R792	3B
CN707	3B	R793	2B
CN708	3B		
G POWER TRANSFORMER(B) P.C.B.			
CN711	2E	W3	2E
CN712	3E	W4	3E
CN713	2E	W5	2E

■ Wiring Connection Diagram



■ Type Illustration of IC's, Transistors and Diodes

 <p>LA1833MN-TLM 24PIN LC72131MDTLM 20PIN</p>	<p>LC8A524A5K01</p> 	<p>RSN307M42</p> 	<p>BA4558FDXE2</p> 	<p>2SB621AQRSTA 2SD592AQRSTA</p> 	
 <p>2SC2785FETA 2SC2787LTA 2SC3311ARSTA UN4111TA UN4211TA UN4212TA UN4115TA</p>	<p>2SC3940AQSTA</p> 	<p>2SB1548PQAU 2SD2374PQAU</p> 	<p>2SD2144STA</p> 	<p>2SA1995RSTA 2SC5398RSTA</p> 	
<p>LNJ301MPUJAD LNJ801TPSJAD LNJ401NPYJA</p> 	<p>1N5402BF RL1N4003N02</p> 	<p>MA4091HTA MA4100MTA MA4150HTA MA4300MTA</p> 		<p>SB360L6508</p> 	<p>MA165TA MA700TA 1SS291TA</p> 
 <p>MA4039MTA MA4051MTA MA4068MTA MA4082LTA</p>					

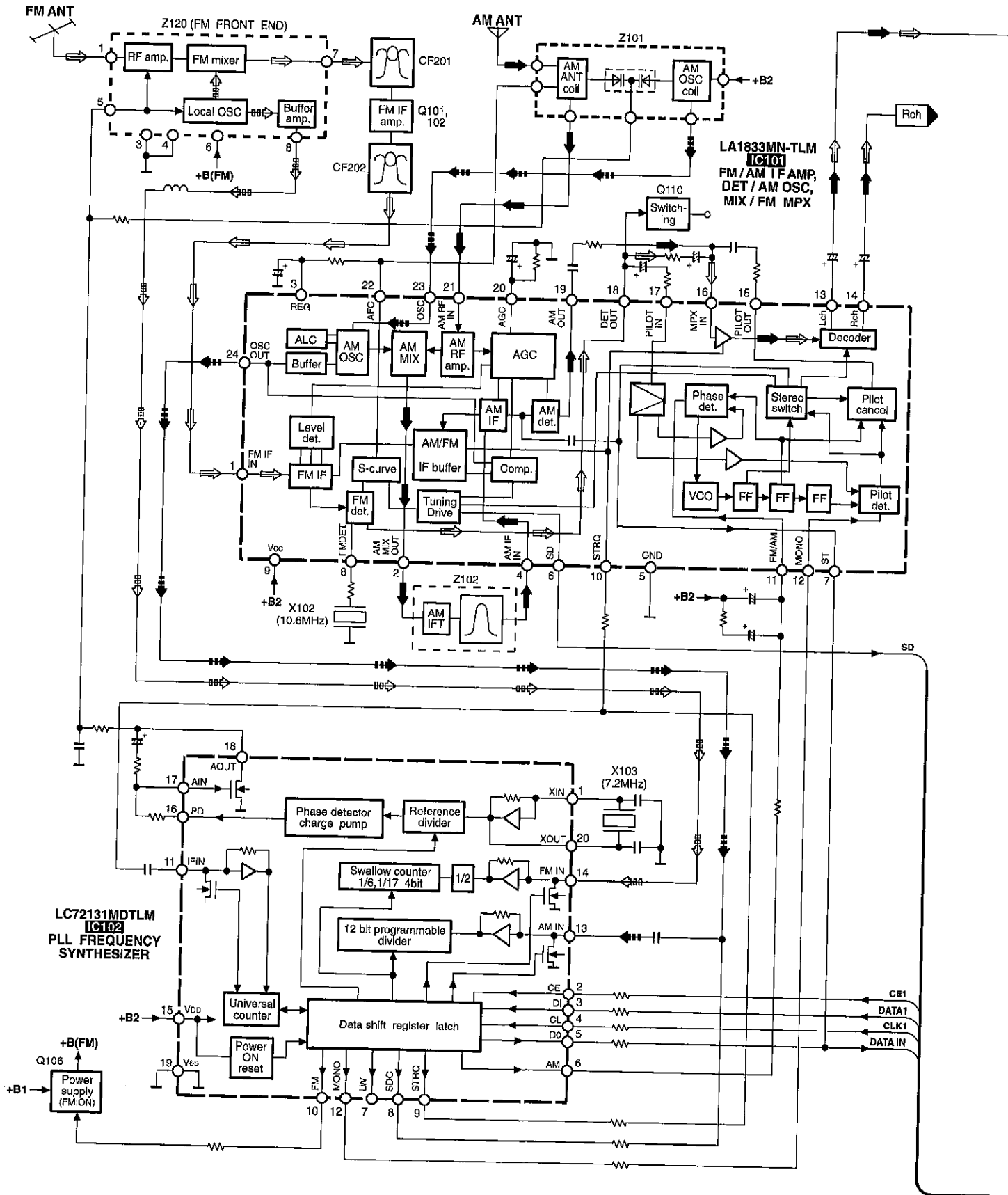
■ Terminal Function of IC's

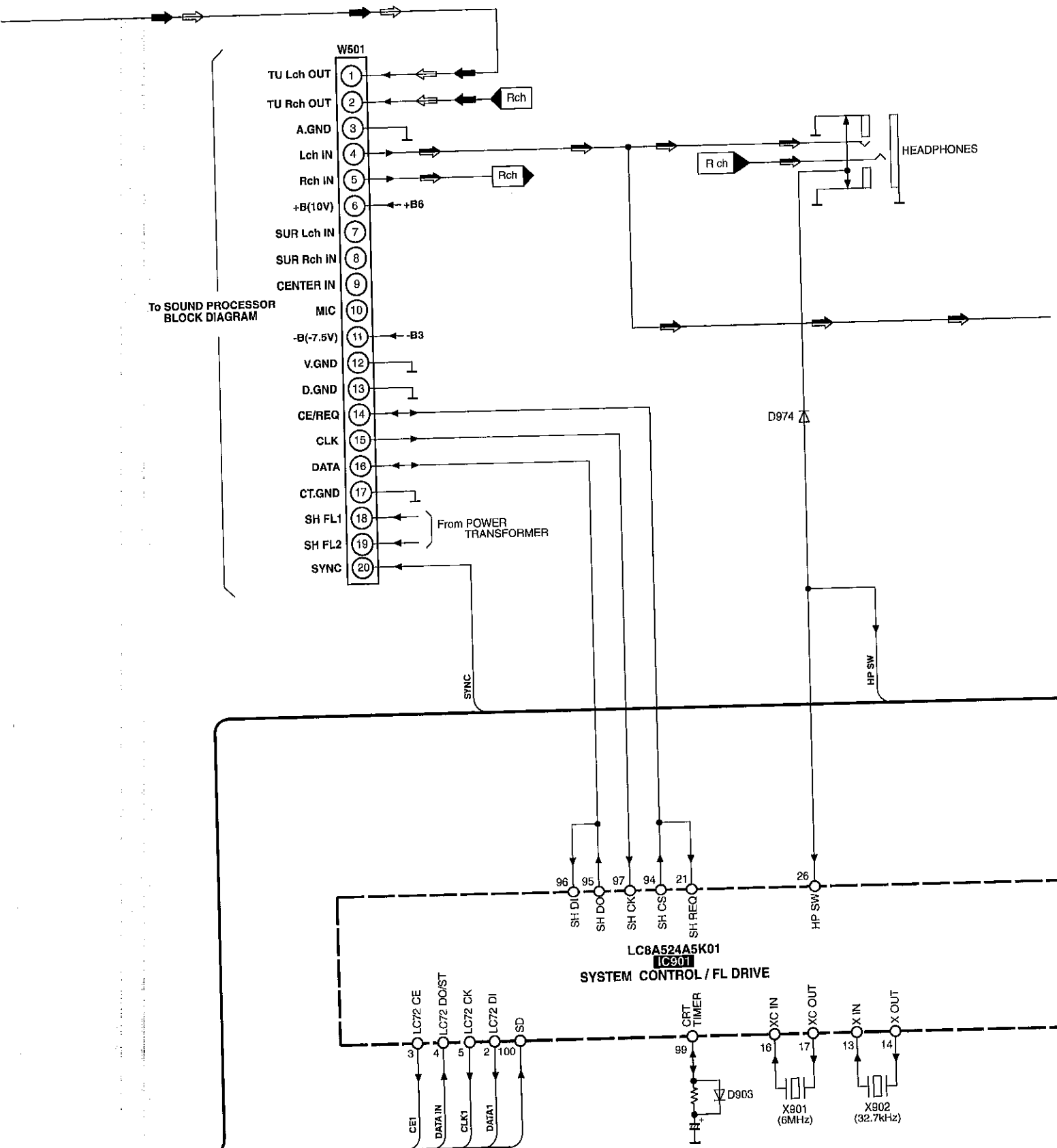
● IC901 (LC8A524A5K01) : System Control/ FL Drive

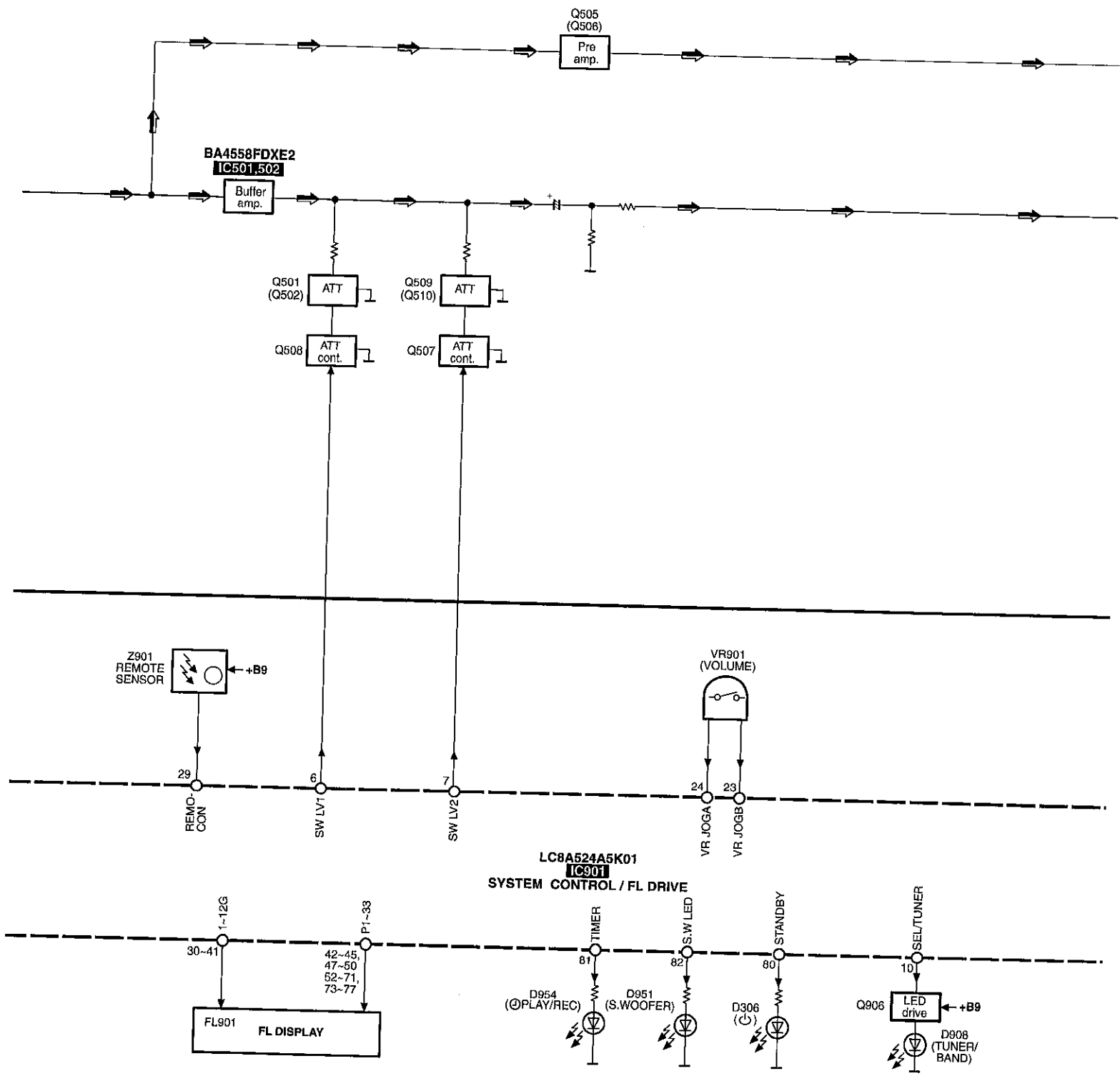
Pin No.	Terminal Name	I/O	Function
1	CHECK	O	Clock check signal output
2	LC72 DI	O	PLL data signal output for IC102
3	LC72 CE	O	Chip enable signal output for IC102
4	LC72 DO/ ST	I	IF count data/stereo detect signal input for IC102
5	LC72 CK	O	Clock signal output for IC102
6	SW LV1	O	LEVEL 1 signal output for IC502
7	SW LV2	O	LEVEL 2 signal output for IC502
8	SW MUT	O	Muting signal output for IC502
9	SEL TUNER	-	Tuner select signal output (Not used, open)
10	SEL/ TUNER	O	Tuner select signal output ("L" = Tuner)
11	AC IN	I	Power failure detect signal input
12	RESET	I	Reset signal input
13	X IN	I	Oscillator connected terminal (32.7 kHz)
14	X OUT	O	
15	V _{ss}	-	GND terminal
16	XC IN	I	Oscillator connected terminal (6 MHz)
17	XC OUT	O	
18	V _{DD1}	I	Power supply terminal
19	KEY TU	I	Operation key signal input (TUNER, TIMER, AMP.section)
20	KEY KARAOKE	I	Operation key signal input (KARAOKE section)
21	SH REQ	I	Request signal input for sound processor
22	NC(GND)	-	Not used, connected to GND
23	VR JQGB	I	Volume control signal input
24	VR JQGA		
25	MIC DET	I	Microphone connecting detect signal input
26	HP SW	I	Headphones connecting detect signal input
27	RDS CLK	I	RDS clock signal input
28	RDS DATA	I	RDS data signal input
29	REMOCON	I	Remote control signal input

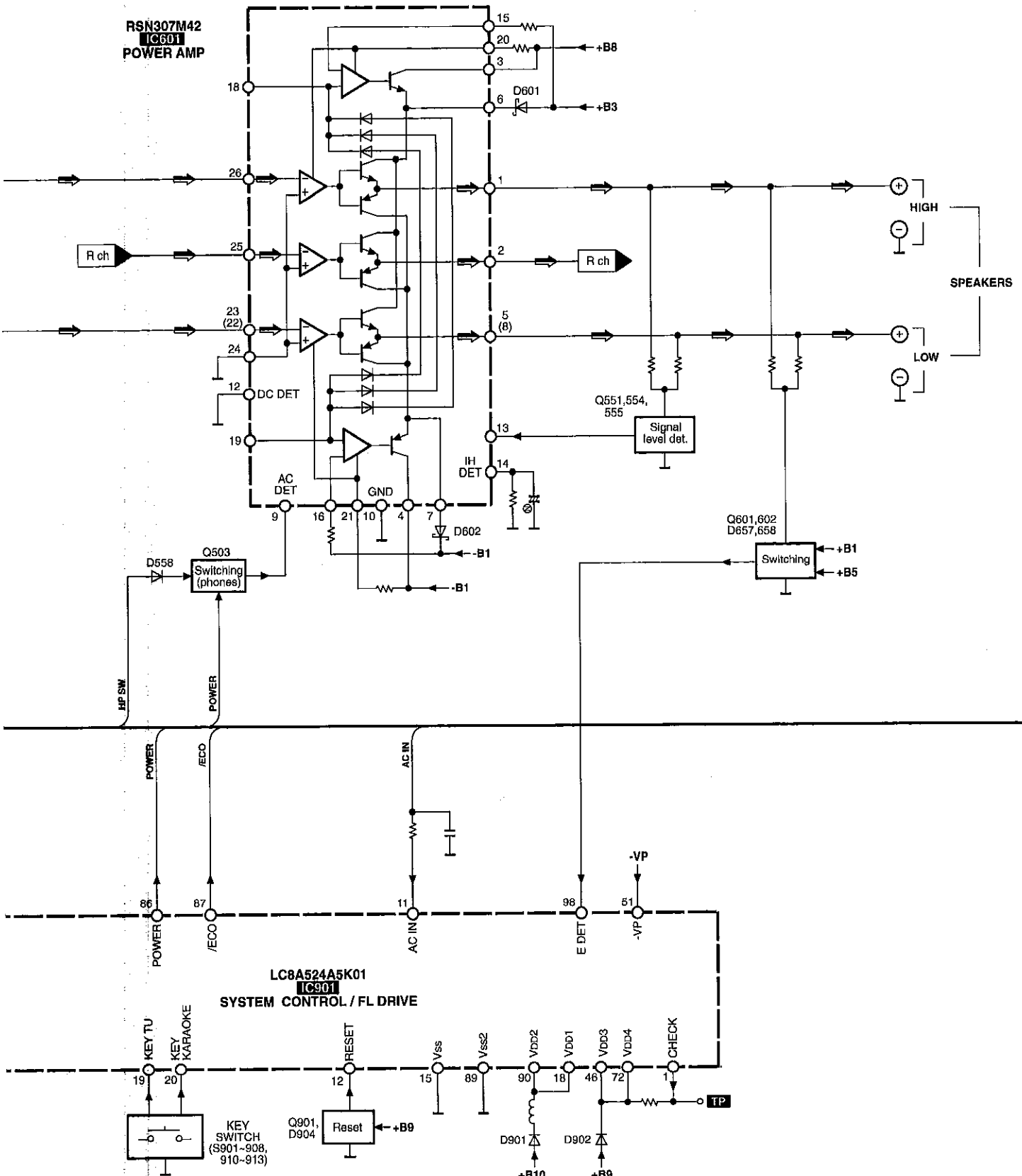
Pin No.	Terminal Name	I/O	Function
30~41	12G~1G	O	Grid signal output
42~45	P33~P30	O	Segment signal output
46	V _{DD3}	I	Power supply terminal
47~50	P29~P26	O	Segment signal output
51	-VP	I	Power supply terminal (negative)
52~71	P25~P6	O	Segment signal output
72	V _{DD4}	I	Power supply terminal
73~77	P5~P1	O	Segment signal output
78	REGIN0	I	Area select signal input
79	REGIN1	I	Area select signal input
80	STANDBY	O	LED (STAND BY) drive signal output
81	TIMER	O	LED (TIMER) drive signal output
82	S.W LED	O	LED (S.WOOFER) drive signal output
83	LOUNGE	O	LED (LOUNGE) drive signal output
84	CHORUS	O	LED (CHORUS) drive signal output
85	MUTE	O	Muting signal output
86	POWER	O	Power control signal output
87	/ECO	O	ECO signal output
88	NC	-	Not used, open
89	V _{ss2}	-	GND terminal
90	V _{DD2}	I	Power supply terminal
91~93	NC	-	Not used, open
94	SH CS	O	Chip select signal output to Sound processor
95	SH DO	O	Serial communication signal to Sound processor (Data signal output)
96	SH DI	I	Serial communication signal to Sound processor (Data signal input)
97	SH CK	I	Serial communication signal to Sound processor (Clock signal input)
98	E DET	I	Unusual condition detect terminal ("L": Unusual)
99	CR TIMER	I/O	TIME CONSTANT terminal
100	SD	I	Station detector signal input for tuner circuit

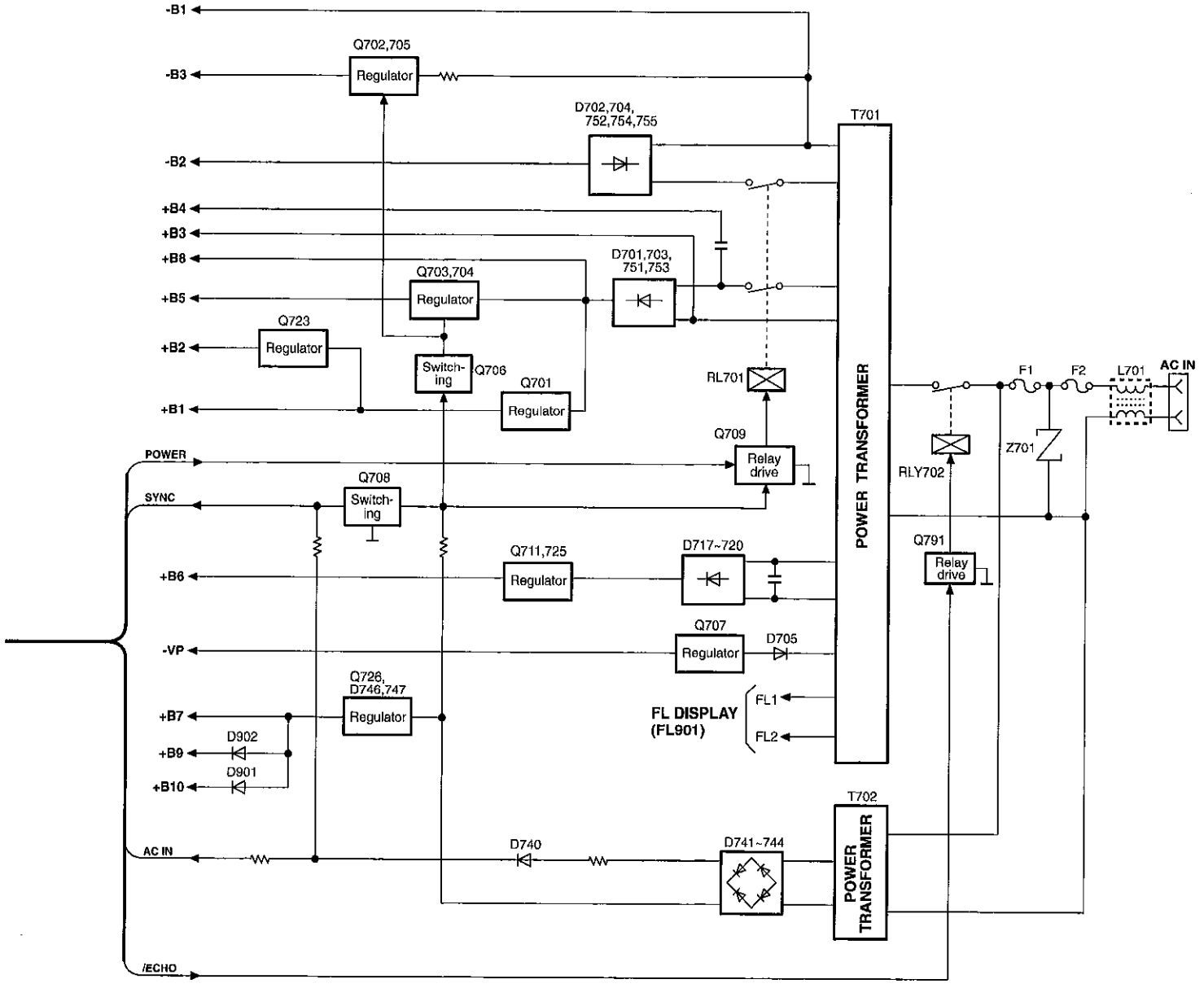
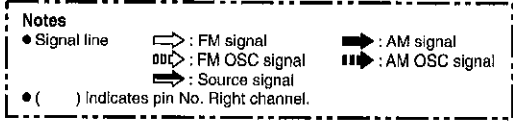
Block Diagram











Replacement Parts List

Notes: * Important safety notice:

Components identified by Δ mark have special characteristics important for safety. Furthermore, special parts which have purposes of fire-(resistors), etc. are used. When replacing any of components, be sure to use only manufacturer's specified parts shown in the parts list.

* The parenthesized indications in the Remarks columns specify the areas. (Refer to the cover page for area.)

* ALL parts are supplied by MESA.

* The "<IA> <IB> <IC> <ID> <IE>" marks in Remarks indicate language of operating instructions.

<IA>: Spanish, Swedish

<IB>: English

<IC>: German, Italian, French

<ID>: Dutch, Danish

<IE>: Russian, Czech, Polish

Ref.No.	Part No.	Part Name & Description	Pcs	Remarks
1	RKM0395-S	CABINET	1	
2	RHD30007-K1	SCREW	4	
3	XTBS3+10JFZ1	SCREW	1	
4	REX0967	WIRE ASS'Y	1	
5	RMZ0339	ZNR COVER	1	
6	RGW0317-S	KNOB,VOLUME	1	
7	RHN00001	NUT	1	
8	RKA0106-N	FOOT RING	4	
9	RKF0589A-K	BACK GRILL	1	
10	RKW0581-V	FL WINDOW	1	
11	RMN0427	CABLE HOLDER	1	
12	RYP0915C-S	FRONT PANEL	1	
12-1	RGB0025-A	TECHNICS BADGE	1	
13	SHQ1654	RUBBER	4	
14	XTB3+10JFZ	SCREW	9	
15	XTB3+8JFZ	SCREW	11	
16	XTW3+15T	SCREW	2	
17	XTBS3+8JFZ1	SCREW	2	
18	RLBT4001-N	FERRITE CORE	1	
A1	RAK-EHA18WH	REMOTE CONT.TRANSMITTER	1	
A1-1	RKK0123-H	BATTERY COVER	1	
A2	REE0499	SPEAKER CORD	2	
A3	REE0853	SPEAKER CORD	2	
A4	RJA0019-X	AC POWER SUPPLY CORD	1	(E,EG,EP)
A4	RJA0053-2X	AC POWER SUPPLY CORD	1	(EB)
A5	RQA0117	WARRANTY CARD	1	(E,EB,EG)
A6	RQCA0668	QUICK REFERENCE GUIDE	1	(EB)
A7	RQCB0169	SERVICE CENTER LIST	1	(E,EB,EG)
A8	RQT4969-E	OPERATING INSTRUCTIONS	1	(E)<IA>
A8	RQT4970-B	OPERATING INSTRUCTIONS	1	(EB,EP)<IB>
A8	RQT4967-D	OPERATING INSTRUCTIONS	1	(EG)<IC>
A8	RQT4968-H	OPERATING INSTRUCTIONS	1	(EG)<ID>
A8	RQT4971-R	OPERATING INSTRUCTIONS	1	(EP)<IE>
A9	RSA0007	FM INDOOR ANTENNA	1	
A10	RSA0022-J	AM LOOP ANTENNA	1	
A11	SJP9009	ANT ADAPTOR	1	(EB)
C101	ECBT1C103NS5	16V 0.01U	1	
C102	ECEA1CKS101	16V 100U	1	
C103	ECBT1C103NS5	16V 0.01U	1	
C104,05	ECBT1H102KB5	50V 1000P	2	
C106	ECBT1C103NS5	16V 0.01U	1	
C107	ECBT1H473ZF5	50V 0.047U	1	
C108	ECBT1H8R2KC5	50V 8.2P	1	
C109	ECBT1H102KB5	50V 1000P	1	
C110	ECBT1C103NS5	16V 0.01U	1	
C111	ECEA1EKS4R7	25V 4.7U	1	
C112	ECBT1C103NS5	16V 0.01U	1	
C113	ECBT1H102KB5	50V 1000P	1	
C114	RCE1HKA3R3BG	50V 3.3U	1	
C115	ECEA1EKS4R7	25V 4.7U	1	
C116	ECFR1C333KR	16V 0.033U	1	
C117,18	ECFR1C183KR	16V 0.018U	2	
C119	ECQP1391JZ	100V 390P	1	
C120	RCE1CKA100BG	16V 10U	1	
C121	RCE1HKA47BG	50V 0.47U	1	

Ref.No.	Part No.	Part Name & Description	Pcs	Remarks
C122,23	ECEA1HKS010	50V 1U	2	
C124	ECBT1H101KB5	50V 100P	1	
C125	ECEA1CKS220	16V 22U	1	
C126	ECBT1H473ZF5	50V 0.047U	1	
C127	ECEA1CKS220	16V 22U	1	
C129,30	ECEA0JKS101	6.3V 100U	2	
C131	ECBT1H101KB5	50V 100P	1	
C132	ECBT1H102KB5	50V 1000P	1	
C133,34	ECBT1H270JU5	50V 27P	2	
C136	ECBT1H102KB5	50V 1000P	1	
C137	ECFR1E472KR	25V 4700P	1	
C138	ECBT1C103KS5	16V 0.01U	1	
C139	ECFR1E472KR	25V 4700P	1	
C141,42	ECEA1HKS010	50V 1U	2	
C143,44	ECBT1C472KR5	16V 4700P	2	
C147	ECBT1H102KB5	50V 1000P	1	
C148	ECBT1C103NS5	16V 0.01U	1	
C149	ECBT1H104ZF5	50V 0.1U	1	
C395,96	ECBT1H473ZF5	50V 0.047U	2	
C501,02	ECFR1C683KR	16V 0.068U	2	
C503,04	ECFR1C223KR	16V 0.022U	2	
C505-08	ECFR1C563KR	16V 0.056	4	
C509-12	ECBT1E103ZF	25V 0.01U	4	
C513-16	RCE1HKA3R3BG	50V 3.3U	4	
C517,18	ECKR1H562KB5	50V 5600P	2	
C519,20	ECFR1C473KR	16V 0.047U	2	
C521,22	ECBT1H104KB5	50V 0.1U	2	
C523,24	ECBT1H220JC5	50V 22P	2	
C525,26	ECEA1HKS010	50V 1U	2	
C527	ECEA1CKS101	16V 100U	1	
C528	ECBT1E103ZF	25V 0.01U	1	
C530	ECBT1E103ZF	25V 0.01U	1	
C550	ECBT1C103NS5	16V 0.01U	1	
C551	ECEA1HKS2R2	50V 2.2U	1	
C552	ECBT1E103ZF	25V 0.01U	1	
C553	ECEA1HKS3R3	50V 0.33U	1	
C554	ECEA1AKS221	10V 220U	1	
C563	ECEA0JKS101	6.3V 100U	1	
C564	RCE1CKA100BG	16V 10U	1	
C601,02	RCE1CKA100BG	16V 10U	2	
C603,04	ECBT1H471KB5	50V 470P	2	
C607,08	ECBT1H471KB5	50V 470P	2	
C611-14	ECBT1H150JC5	50V 15P	4	
C615	ECKR1H103ZF5	50V 0.01U	1	
C616	ECEA1HSN2R2	50V 2.2U	1	
C617,18	ECKR2H103ZU	500V 0.01U	2	
C619	ECBT1E103ZF	25V 0.01U	1	
C620,21	ECQV1H473JM3	50V 0.047U	2	
C622	ECA1HM101	50V 100U	1	
C623,24	ECBT1H102KB5	50V 1000P	2	
C625	ECBT1C103KS5	16V 0.01U	1	
C626,27	ECQV1H473JM3	50V 0.047U	2	
C631,32	ECBT1H473ZF5	50V 0.047U	2	
C633,34	ECBT1H102KB5	50V 1000P	2	
C635,36	ECBT1H473ZF5	50V 0.047U	2	
C637-42	ECBT1H102KB5	50V 1000P	6	
C647	ECBT1H102KB5	50V 1000P	1	
Δ C701	ECA1VM472E	35V 4700U	1	
Δ C702	ECA1VM562E	35V 5600U	1	
Δ C703,04	ECA1VM332	35V 3300U	2	
C706	RCE1VKA100BG	35V 10U	1	
C707	ECBT1E103ZF	25V 0.01U	1	
C709	ECBT1H104ZF5	50V 0.1U	1	
C710	ECBT1E103ZF	25V 0.01U	1	
C714	ECBT1H102KB5	50V 1000P	1	
Δ C715	ECA1EM472	25V 4700U	1	
C717	ECEA1CKS330	16V 33UF	1	
C718	RCE1AKA101BG	10V 100U	1	
C719,20	ECBT1H473KB5	25V 0.047U	2	
C721,22	RCE1AKA101BG	10V 100U	2	
C723	ECBT1E103ZF	25V 0.01U	1	
C731	ECBT1H102KB5	50V 1000P	1	
C732	ECBT1E223ZF	25V 0.022U	1	
C733	ECBT1E103ZF	25V 0.01U	1	
C734	RCE1HKA3R3BG	50V 3.3U	1	
Δ C737	ECA1HM101	50V 100U	1	
C740	RCE1CKA100BG	16V 10U	1	
C741	ECQE1104KF3	100V 0.1U	1	

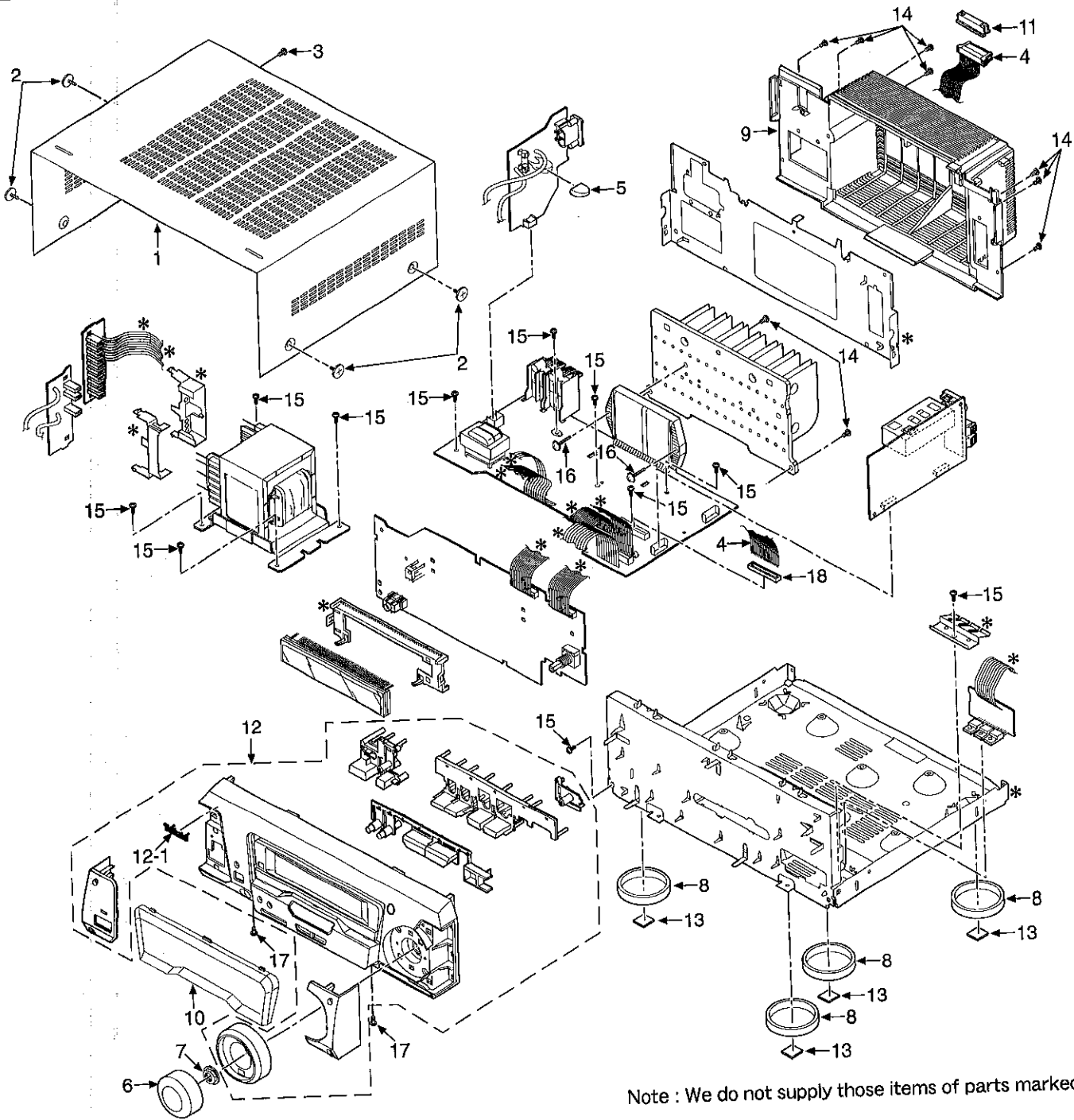
Ref.No.	Part No.	Part Name & Description	Pcs	Remarks
C753	ECKR1H103ZF5	50V 0.01U	1	
△ C754	RCE1CM102BV	16V 1000U	1	
C758	ECBT1E103ZF	25V 0.01U	1	
△ C759	RCE1AKA470BG	10V 47U	1	
C761	ECQE1104KF3	100V 0.1U	1	
△ C791	ECKWRS102MBC	125V 1000P	1	
C901	ECBT1H102KB5	50V 1000P	1	
C902	RCE1AM102BV	10V 1000U	1	
C903,04	ECBT1E103ZF	25V 0.01U	2	
C907,08	ECBT1H471KB5	50V 470P	2	
C909	ECBT1H102KB5	50V 1000P	1	
C910	ECBT1H220JC5	50V 20P	1	
C911	ECBT1H180J5	50V 18P	1	
C912	ECBT1H104ZF5	50V 0.1U	1	
C913	RCE1CKA100BG	16V 10U	1	
C914	ECEA1HKS2R2	50V 2.2U	1	
C915	ECBT1E103ZF	25V 0.01U	1	
C916	EEAFCQJ01B	6.3V 100U	1	
C917	ECBT1E103ZF	25V 0.01U	1	
C918	ECEA0JKS101	6.3V 100U	1	
C919,20	ECEA1HK92R2	50V 2.2U	2	
C921	ECBT1H102KB5	50V 1000P	1	
C922	ECEA1VKA330B	35V 33U	1	
C923,24	ECBT1H104ZF5	50V 0.1U	2	
C925,26	ECBT1H102KB5	50V 1000P	2	
CF201	RLFFETNGD01L	CERAMIC FILTER	1	
CF202	RLFFETMGD01L	CERAMIC FILTER	1	
CN101B,2B	RJU100W07	CONNECTOR(7P)	2	
CN601	RJU057W004	CONNECTOR(4P)	1	
CN701-13	RJS1A1101T1	CONNECTOR(1P)	13	
CP101B,2B	RJT100W07	CONNECTOR(7P)	2	
CP601	RJT057W004-1	CONNECTOR(4P)	1	
△ D101	MA4051M	DIODE	1	
D306	LNJ801TPSJAD	LED	1	
D500	MA165	DIODE	1	
D551,52	MA165	DIODE	2	
D555	MA4100M	DIODE	1	
D558	MA165	DIODE	1	
D562,63	MA165	DIODE	2	
D601,02	SB360L6508	DIODE	2	
D657,58	MA165	DIODE	2	
△ D701-04	1N5402BF	DIODE	4	
△ D705	RL1N4003N02	DIODE	1	
D711	RL1N4003N02	DIODE	1	
D715	MA165	DIODE	1	
D717-20	RL1N4003N02	DIODE	4	
△ D721	MA4300M	DIODE	1	
△ D723	MA4150M	DIODE	1	
△ D725	MA4082LTA	DIODE	1	
D730	MA4091H	DIODE	1	
D736	MA165	DIODE	1	
△ D737	MA4082LTA	DIODE	1	
D738-40	MA165	DIODE	3	
△ D741-44	RL1N4003N02	DIODE	4	
D745	MA4051M	DIODE	1	
D746	RL1N4003N02	DIODE	1	
△ D747	MA4068M	DIODE	1	
D749,50	MA165	DIODE	2	
△ D751,52	1N5402BF	DIODE	2	
△ D753-55	RL1N4003N02	DIODE	3	
D756,57	MA700TA	DIODE	2	
D758	MA165	DIODE	1	
D901,02	1SS291TA	DIODE	2	
D903,04	MA165	DIODE	2	
D905	1SS291TA	DIODE	1	
D908	LNJ301MPUJAD	LED	1	
D915	1SS291TA	DIODE	1	
D951	LNJ301MPUJAD	LED	1	
D954	LNJ401NPYJA	LED	1	
△ D973	MA4039M	DIODE	1	
D974	MA165	DIODE	1	
△ F1	XBA2C10TB0	FUSE	1	
△ F2	XBA2C20TB0	FUSE	1	

Ref.No.	Part No.	Part Name & Description	Pcs	Remarks
FL901	RSL0283-F	FL	1	
IC101	LA1833MN-TLM	IC	1	
IC102	LC72131MDTLM	IC	1	
IC501,02	BA4558FDXE2	IC	2	
△ IC601	RSN307M42	IC	1	
IC901	LC8A524A5K01	IC	1	
JK101	RJH5210M	JACK,ANTENNA	1	
JK601	RJR0054B	JACK,SPEAKER	1	
JK602	RJR0054C	JACK,SPEAKER	1	
△ JK701	SJS9236	JACK,AC INLET	1	
JK903	RJ37TN02-C	JACK,HEADPHONE	1	
L101,02	ELESNR68MA	COIL	2	
L103	ELEXTR47MA9	COIL	1	
L601-04	RLQYR73MW1-0	COIL	4	
△ L701	RLQZ371	COIL	1	
L901	RLQA100JT-Y	COIL	1	
L902	RLQZP1R0KT-Y	COIL	1	
P1	RPF0139	PROTECTION COVER	1	
P2	RPG4397	PACKING CASE(RS)	1	
P2	RPG4396	PACKING CASE(SA)	1	
P2	RPG4398	PACKING CASE(SH)	1	
P2	RPG4399	PACKING CASE(SL)	1	
P3	RPN1195	PAD(RS)	1	
P3	RPN1194	PAD(SA)	1	
P3	RPN1196	PAD(SH)	1	
P3	RPN1203	PAD(SL)	1	
P4	RPG4406	PACKING CASE(SYSTEM)	1	(E)
P4	RPG4407	PACKING CASE(SYSTEM)	1	(EG)
P4	RPG4408	PACKING CASE(SYSTEM)	1	(EB)
P4	RPG4409	PACKING CASE(SYSTEM)	1	(EP)
P5	RPQ0951	PAD(SYSTEM)	1	
P6	SPP740-1	SHEET	1	
Q101,02	2SC2787FK	TRANSISTOR	2	
Q106	UN4111	TRANSISTOR	1	
Q110	2SC3311AR	TRANSISTOR	1	
Q501-03	2SC3327A	TRANSISTOR	3	
Q505,06	2SC3311AR	TRANSISTOR	2	
Q507,08	UN4115	TRANSISTOR	2	
Q509,10	2SC3327A	TRANSISTOR	2	
Q551	2SA1995RSTA	TRANSISTOR	1	
Q554	2SA1995RSTA	TRANSISTOR	1	
Q555	2SC3327A	TRANSISTOR	1	
Q558	UN4211	TRANSISTOR	1	
Q601,02	2SC5398RSTA	TRANSISTOR	2	
△ Q701	2SD2374PQAU	TRANSISTOR	1	
△ Q702	2SB1548PQAU	TRANSISTOR	1	
△ Q703	2SD592AR	TRANSISTOR	1	
△ Q705	2SA1995RSTA	TRANSISTOR	1	
Q706	UN4211	TRANSISTOR	1	
△ Q707	2SB621A-R	TRANSISTOR	1	
Q708	UN4211	TRANSISTOR	1	
Q709	2SC3327A	TRANSISTOR	1	
△ Q711	2SB1548PQAU	TRANSISTOR	1	
△ Q723	2SC3940AQSTA	TRANSISTOR	1	
△ Q725	2SC5398RSTA	TRANSISTOR	1	
△ Q726	2SC3940AQSTA	TRANSISTOR	1	
Q791	2SC3327A	TRANSISTOR	1	
Q901	UN4212TA	TRANSISTOR	1	
Q906	UN4111	TRANSISTOR	1	
R102	ERDS2FJ472	1/4W 4.7K	1	
R103	ERDS2FJ101	1/4W 100	1	
R104	ERDS2FJ103	1/4W 10K	1	
R105	ERDS2FJ471	1/4W 470	1	
R106	ERDS2FJ474	1/4W 470K	1	
R107	ERDS2FJ331	1/4W 330	1	
R108	ERDS2FJ474	1/4W 470K	1	
R109	ERDS2FJ331	1/4W 330	1	
R110	ERDS2FJ102	1/4W 1K	1	
R111	ERDS2FJ391	1/4W 390	1	
R112	ERDS2FJ104	1/4W 100K	1	
R113	ERDS2FJ103	1/4W 10K	1	

Ref.No.	Part No.	Part Name & Description	Pcs	Remarks
R114	ERDS2FJ562	1/4W 5.6K	1	
R115	ERDS2FJ561	1/4W 560	1	
R116	ERDS2FJ102	1/4W 1K	1	
R117	ERDS2FJ683	1/4W 68K	1	
R118	ERDS2FJ332	1/4W 3.3K	1	
R119	ERDS2FJ103	1/4W 10K	1	
R120	ERDS2FJ473	1/4W 47K	1	
R121	ERDS2FJ223	1/4W 22K	1	
R122	ERDS2FJ272	1/4W 2.7K	1	
R123	ERDS2FJ683	1/4W 68K	1	
R124	ERDS2FJ271	1/4W 270	1	
R125,26	ERDS2FJ152	1/4W 1.5K	2	
R127	ERDS2FJ471	1/4W 470	1	
R128	ERDS2FJ820	1/4W 82	1	
R129	ERDS2FJ273	1/4W 27K	1	
R130	ERDS2FJ103	1/4W 10K	1	
R131	ERDS2FJ680	1/4W 68	1	
R132	ERDS2FJ103	1/4W 10K	1	
R133-37	ERDS2FJ102	1/4W 1K	5	
R138	ERDS2FJ103	1/4W 10K	1	
R139	ERDS2FJ332	1/4W 3.3K	1	
R140	ERDS2FJ472	1/4W 4.7K	1	
R141,42	ERDS2FJ102	1/4W 1K	2	
R143	ERDS2FJ223	1/4W 22K	1	
R145,46	ERDS2FJ104	1/4W 100K	2	
R229,30	ERDS2FJ102	1/4W 1K	2	
R501,02	ERDS2FJ274	1/4W 270K	2	
R503,04	ERDS2FJ183	1/4W 18K	2	
R505,08	ERDS2FJ103	1/4W 10K	2	
R507,08	ERDS2FJ104	1/4W 100K	2	
R509-12	ERDS2FJ470	1/4W 47	4	
R513,14	ERDS2FJ104	1/4W 100K	2	
R515,16	ERDS2FJ331	1/4W 330	2	
R517,18	ERDS2FJ102	1/4W 1K	2	
R519,20	ERDS2FJ152	1/4W 1.5K	2	
R521,22	ERDS2FJ104	1/4W 100K	2	
R523,24	ERDS2FJ121	1/4W 120	2	
R525	ERDS2FJ104	1/4W 100K	1	
R526	ERDS2FJ222	1/4W 2.2K	1	
R527	ERDS2FJ104	1/4W 100K	1	
R528	ERDS2FJ222	1/4W 2.2K	1	
R529,30	ERDS2FJ103	1/4W 10K	2	
R531-34	ERDS2FJ104	1/4W 100K	4	
R535,36	ERDS2FJ222	1/4W 2.2K	2	
R537,38	ERDS2FJ682	1/4W 6.8K	2	
R539	ERDS2FJ101	1/4W 100	1	
R541,42	ERDS2FJ561	1/4W 560	2	
R544	ERDS2FJ103	1/4W 10K	1	
R545	ERDS2FJ222	1/4W 2.2K	1	
R548	ERDS2FJ102	1/4W 1K	1	
R551	ERDS2FJ183	1/4W 18K	1	
R552	ERDS2FJ473	1/4W 47K	1	
R553-55	ERDS2FJ223	1/4W 22K	3	
R556	ERDS2FJ104	1/4W 100K	1	
R557	ERDS2FJ103	1/4W 10K	1	
R558	ERDS2FJ102	1/4W 1K	1	
R559	ERDS2FJ472	1/4W 4.7K	1	
R561	ERDS2FJ104	1/4W 100K	1	
R570	ERDS2TJ225	1/4W 2.2M	1	
R571	ERDS2FJ562	1/4W 5.6K	1	
R572	ERDS2FJ153	1/4W 15K	1	
R591	ERDS2FJ472	1/4W 4.7K	1	
R597,98	ERDS2FJ102	1/4W 1K	2	
R601,02	ERDS2FJ103	1/4W 10K	2	
R603,04	ERDS2FJ682	1/4W 6.8K	2	
R607-10	ERDS2FJ563	1/4W 56K	4	
R611	ERDS2FJ273	1/4W 27K	1	
R612	ERDS2FJ473	1/4W 47K	1	
R617,18	ERDS2FJ472	1/4W 4.7K	2	
R621	ERDS2FJ224	1/4W 220K	1	
R622	ERDS2FJ184	1/4W 180K	1	
R623	ERDS2FJ154	1/4W 150K	1	
R624	ERDS2FJ124	1/4W 120K	1	
R627	ERDS2FJ474	1/4W 470K	1	
R628	ERDS2FJ223	1/4W 22K	1	
R629	ERDS2FJ683	1/4W 68K	1	
R630	ERDS2FJ473	1/4W 47K	1	
R637	ERDS2FJ153	1/4W 15K	1	

Ref.No.	Part No.	Part Name & Description	Pcs	Remarks
R638	ERDS2FJ683	1/4W 68K	1	
△ R639-42	ERDS1FJ100	1/2W 10	4	
△ R647,48	ERDS2FJ2R2	1/4W 2.2	2	
△ R649-52	ERDS1FJ100	1/2W 10	4	
R701,02	ERDS2FJ273	1/4W 27K	2	
△ R707	ERDS2FJ4R7	1/4W 4.7	1	
R708	ERDS2FJ472	1/4W 4.7K	1	
R712	ERDS2FJ222	1/4W 2.2K	1	
R719	ERDS2FJ332	1/4W 3.3K	1	
R720	ERDS2FJ272	1/4W 2.7K	1	
△ R721	ERD2FCJ4R7	1/4W 4.7	1	
△ R722	ERQ16NKW2R2E	1/6W 2.2	1	
R723	ERDS2FJ562	1/4W 5.6K	1	
R724	ERDS2FJ392	1/4W 3.9K	1	
R725	ERDS2FJ100	1/4W 10	1	
R727	ERDS2FJ392	1/4W 3.9K	1	
R729	ERDS2FJ221	1/4W 220	1	
R738	ERDS2FJ392	1/4W 3.9K	1	
R739	ERDS2FJ473	1/4W 47K	1	
R749	ERDS2FJ102	1/4W 1K	1	
R753	ERD16TJ000T	1/4W 0	1	
R763	ERDS2FJ472	1/4W 4.7K	1	
R764	ERDS2FJ331	1/4W 330	1	
△ R765	ERDS1FJ221	1/2W 220	1	
△ R766	ERDS1FJ470	1/2W 47	1	
△ R767	ERDS2FJ4R7	1/4W 4.7	1	
R768	ERDS2FJ101	1/4W 100	1	
R770	ERDS2FJ104	1/4W 100K	1	
R771	ERDS2FJ222	1/4W 2.2K	1	
R772	ERDS2FJ223	1/4W 22K	1	
△ R773	ERDS1FJ470	1/2W 47	1	
△ R774	ERDS1FJ270	1/2W 27	1	
R776	ERDS2FJ103	1/4W 10K	1	
R777	ERDS2FJ102	1/4W 1K	1	
△ R779	ERDS1FJ470	1/2W 47	1	
△ R791,92	RSFMB30KT-L	FUSE PROTECTOR	2	
R793	ERDS2FJ1R0	1/4W 1	1	
R794	ERDS2FJ473	1/4W 47K	1	
R795	ERDS2FJ392	1/4W 3.9K	1	
R901	ERDS2FJ821	1/4W 820	1	
R902	ERDS2FJ102	1/4W 1K	1	
R903	ERDS2FJ122	1/4W 1.2K	1	
R904	ERDS2FJ152	1/4W 1.5K	1	
R905	ERDS2FJ182	1/4W 1.8K	1	
R906	ERDS2FJ222	1/4W 2.2K	1	
R907	ERDS2FJ332	1/4W 3.3K	1	
R908	ERDS2FJ472	1/4W 4.7K	1	
R909	ERDS2FJ182	1/4W 1.8K	1	
R910	ERDS2FJ222	1/4W 2.2K	1	
R911	ERDS2FJ332	1/4W 3.3K	1	
R912	ERDS2FJ472	1/4W 4.7K	1	
R913	ERDS2FJ821	1/4W 820	1	
R914	ERDS2FJ102	1/4W 1K	1	
R915	ERDS2FJ122	1/4W 1.2K	1	
R916	ERDS2FJ152	1/4W 1.5K	1	
R918	ERDS2FJ103	1/4W 10K	1	
R919	ERDS2FJ153	1/4W 15K	1	
R921,22	ERDS2FJ103	1/4W 10K	2	
R923	ERDS2FJ223	1/4W 22K	1	
R924,25	ERDS2FJ102	1/4W 1K	2	
R926	ERDS2FJ222	1/4W 2.2K	1	
R928	ERDS2FJ473	1/4W 47K	1	
R929-32	ERDS2FJ102	1/4W 1K	4	
R933	ERDS2FJ471	1/4W 470	1	
R934-36	ERDS2FJ101	1/4W 100	3	
R937	ERDS2FJ103	1/4W 10K	1	
R939	ERDS2FJ331	1/4W 330	1	
R940	ERDS2FJ102	1/4W 1K	1	
R943	ERDS2FJ101	1/4W 100	1	
R944	ERDS2FJ223	1/4W 22K	1	
R945	ERDS2FJ101	1/4W 100	1	
R946	ERDS2FJ102	1/4W 1K	1	
R947,48	ERDS2FJ104	1/4W 100K	2	
R949	ERDS2FJ472	1/4W 4.7K	1	
R950	ERDS2FJ101	1/4W 100	1	
R951	ERDS2FJ334	1/4W 330K	1	
R952	ERDS2TJ106T	1/4W 10M	1	
R953	ERDS2FJ101	1/4W 100	1	

■ Cabinet Parts Location

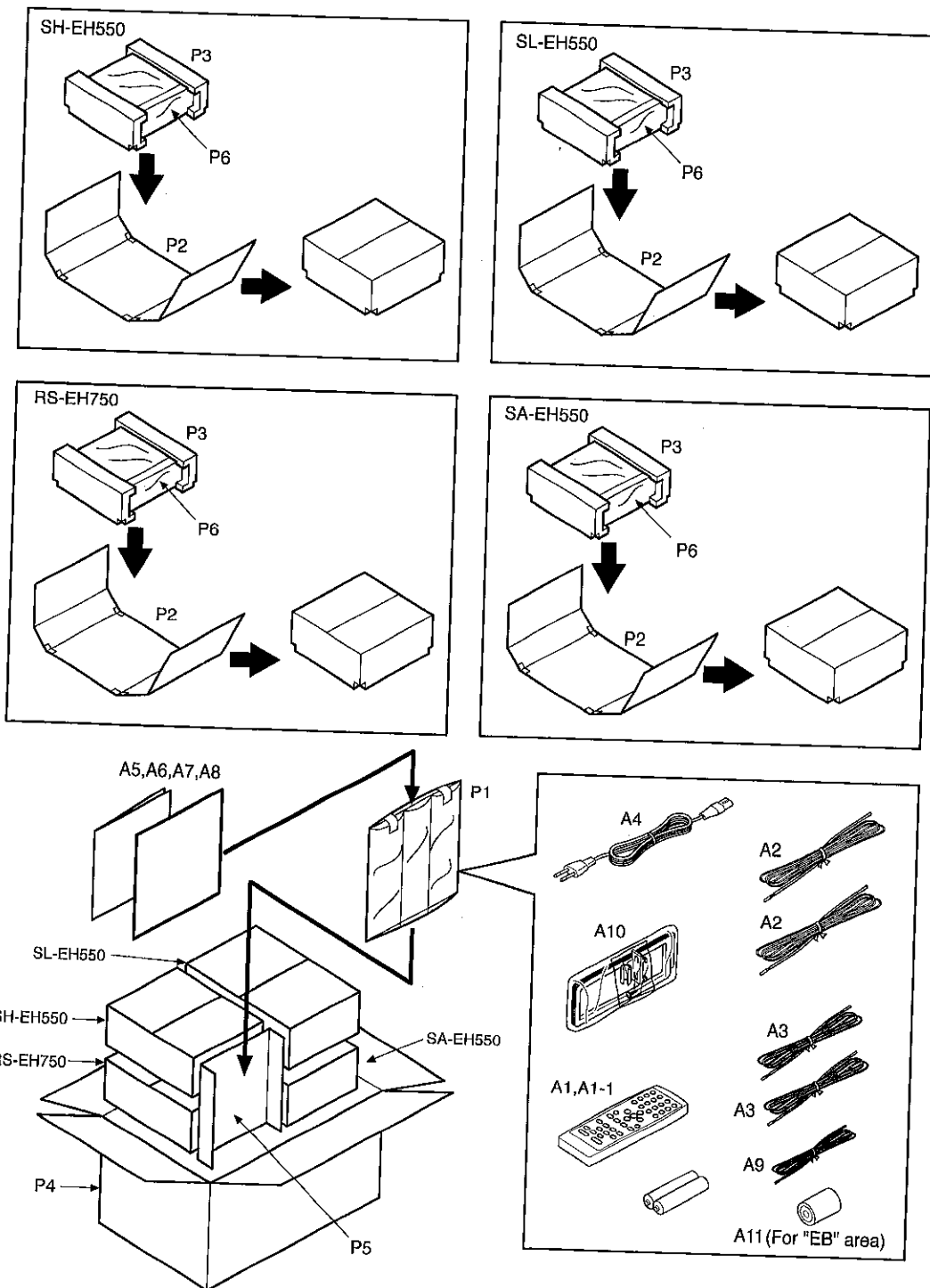


Note : We do not supply those items of parts marked *.

Ref.No.	Part No.	Part Name & Description	Pcs	Remarks
1	RKM0395-S	CABINET	1	
2	RHD30007-K1	SCREW	4	
3	XTBS3+10JFZ1	SCREW	1	
4	REX0967	WIRE ASS'Y	1	
5	RMZ0339	ZNR COVER	1	
6	RGW0317-S	KNOB,VOLUME	1	
7	RHN90001	NUT	1	
8	RKA0106-N	FOOT RING	4	
9	RKF0588A-K	BACK GRILL	1	
10	RKW0581-V	FL WINDOW	1	

Ref.No.	Part No.	Part Name & Description	Pcs	Remarks
11	RMN0427	CABLE HOLDER	1	
12	RYP0915C-S	FRONT PANEL	1	
12-1	RGB0025-A	TECHNICS BADGE	1	
13	SHG1654	RUBBER	4	
14	XTB3+10JFZ	SCREW	9	
15	XTB3+8JFZ	SCREW	11	
16	XTW3+15T	SCREW	2	
17	XTBS3+8JFZ1	SCREW	2	
18	RLBT4001-N	FERRITE CORE	1	

■ Packaging



Ref.No.	Part No.	Part Name & Description	Pcs	Remarks
A1	RAK-EHA18WH	REMOTE CONT.TRANSMITTER	1	
A1-1	RKK0123-H	BATTERY COVER	1	
A2	REE0499	SPEAKER CORD	2	
A3	REE0853	SPEAKER CORD	2	
△ A4	RJA0019-X	AC POWER SUPPLY CORD	1	(E,EG,EP)
△ A4	RJA0053-2X	AC POWER SUPPLY CORD	1	(EB)
A5	RQA0117	WARRANTY CARD	1	(E,EB,EG)
A6	RQCA0668	QUICK REFERENCE GUIDE	1	(EB)
A7	RQCB0169	SERVICE CENTER LIST	1	(E,EB,EG)
A8	RQT4969-E	OPERATING INSTRUCTIONS	1	(E)<lA>
A8	RQT4970-B	OPERATING INSTRUCTIONS	1	(EB,EP)<lB>
A8	RQT4967-D	OPERATING INSTRUCTIONS	1	(EG)<lC>
A8	RQT4968-H	OPERATING INSTRUCTIONS	1	(EG)<lD>
A8	RQT4971-R	OPERATING INSTRUCTIONS	1	(EP)<lE>
A9	RSA0007	FM INDOOR ANTENNA	1	
A10	RSA0022-J	AM LOOP ANTENNA	1	
A11	SJP9009	ANT ADAPTOR	1	(EB)

Ref.No.	Part No.	Part Name & Description	Pcs	Remarks
P1	RPF0139	PROTECTION COVER	1	
P2	RPG4397	PACKING CASE(RS)	1	
P2	RPG4396	PACKING CASE(SA)	1	
P2	RPG4398	PACKING CASE(SH)	1	
P2	RPG4399	PACKING CASE(SL)	1	
P3	RPN1195	PAD(RS)	1	
P3	RPN1194	PAD(SA)	1	
P3	RPN1196	PAD(SH)	1	
P3	RPN1203	PAD(SL)	1	
P4	RPG4406	PACKING CASE(SYSTEM)	1	(E)
P4	RPG4407	PACKING CASE(SYSTEM)	1	(EG)
P4	RPG4408	PACKING CASE(SYSTEM)	1	(EB)
P4	RPG4409	PACKING CASE(SYSTEM)	1	(EP)
P5	RPQ0951	PAD(SYSTEM)	1	
P6	SPP740-1	SHEET	1	